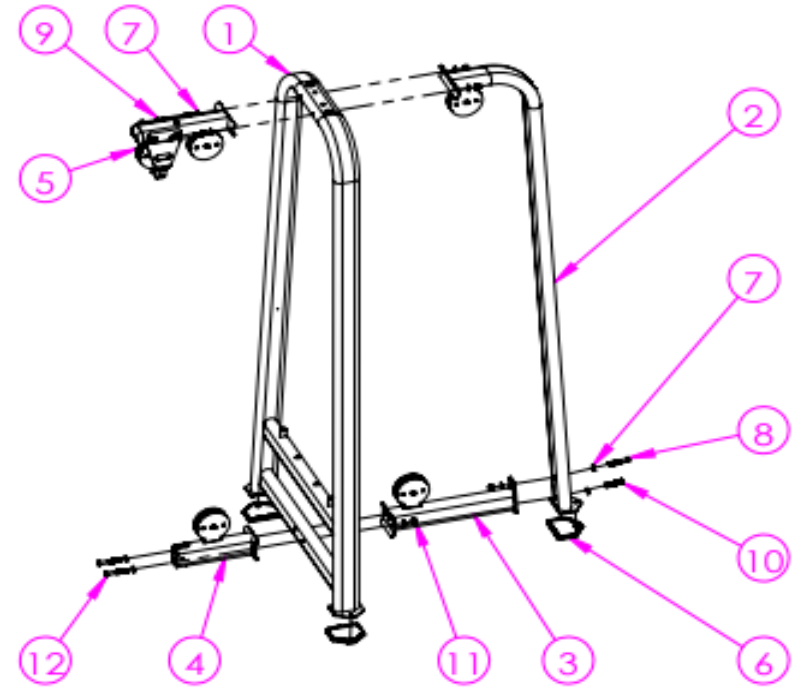
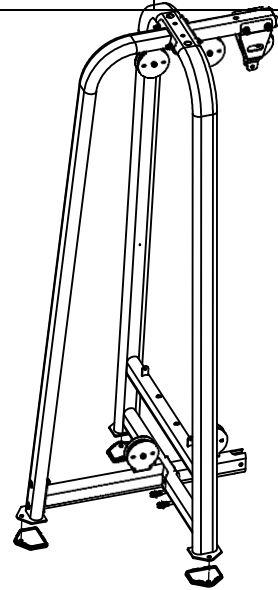
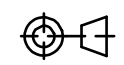
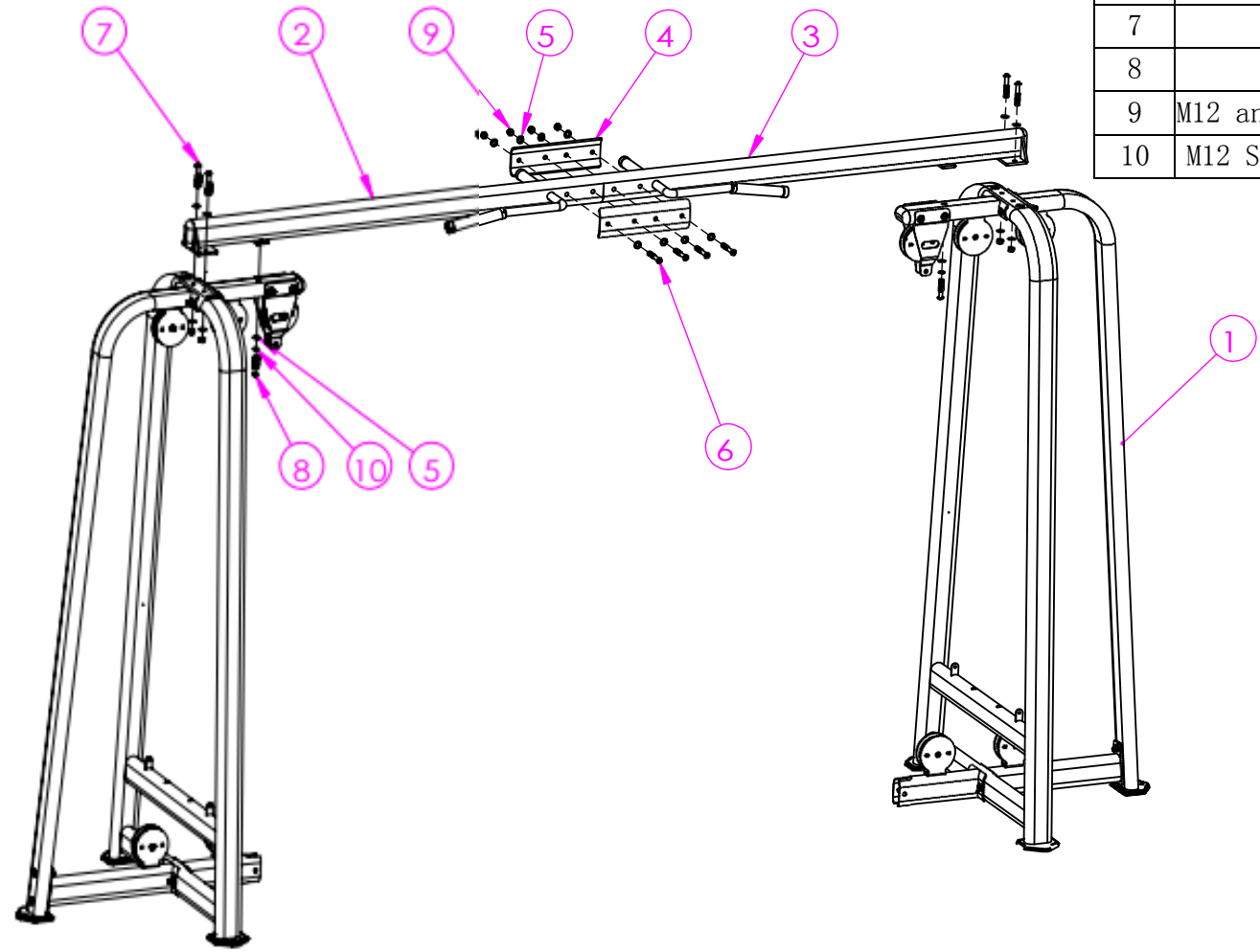


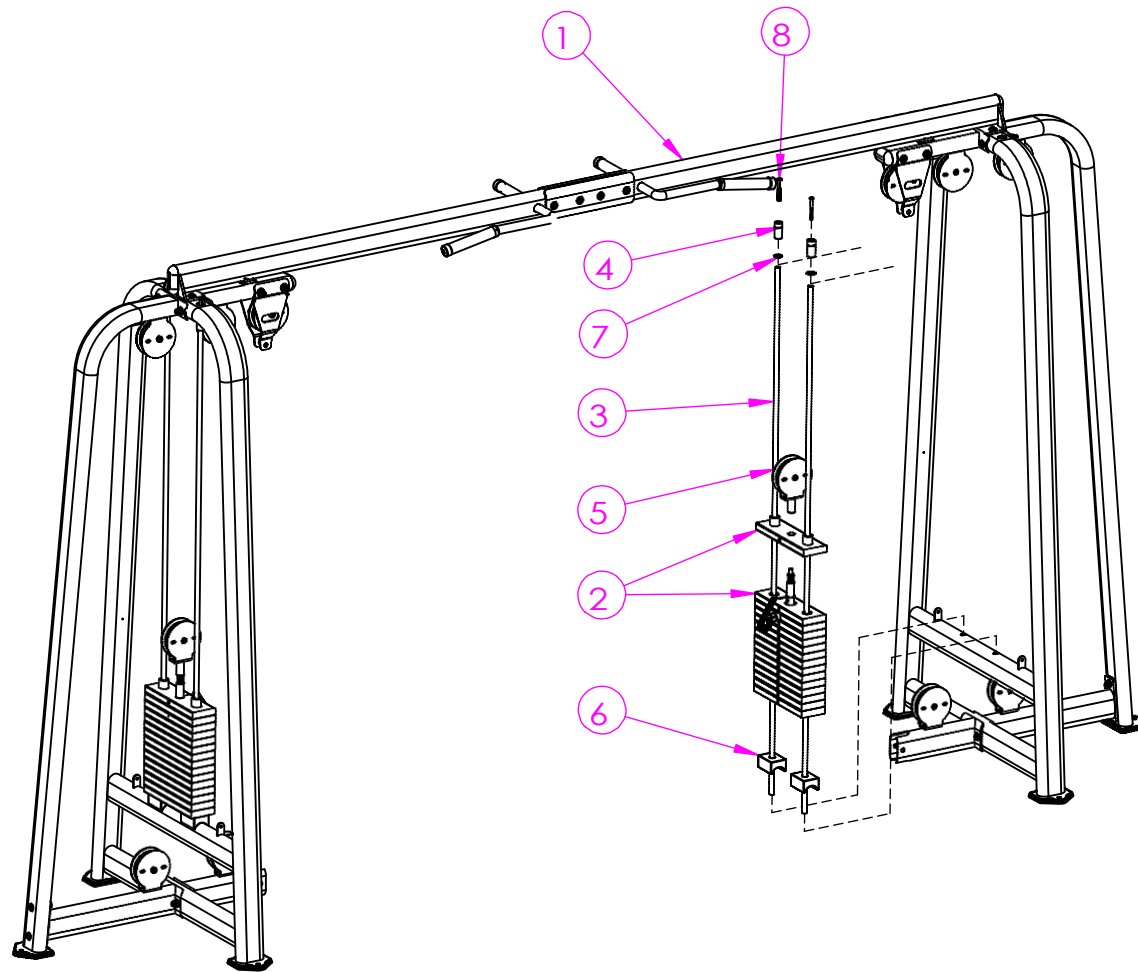
FM-1008 CABLE CROSSOVER

NO.	CODE	NAME	QUANTITY
1	R04-5611	Side Rack	2
2	R20-1228	Winding Pipe	2
3	R20-1247	Support Tube	2
4	R20-1229	Bottom Connection Tube	2
5	R20-1227	Short Tube	2
6	R06-1046	50X100 Square Pad	6
7	M12 Flat Washer	M12 Flat Washer	22
8	M12x75	M12x75	2
9	M12x135	M12x135	4
10	M12x65	M12x65	2
11	M12 anti-loose nut	M12 anti-loose nut	10
12	M12x80	M12x80	4



NO.	CODE	NAME	QUANTITY
1	Step 1		1
2	R20-1246	Top Tube (Right)	1
3	R20-1230	Top Tube (Left)	1
4	R02-1026	340 Connection Plate	2
5	M12 Flat Washer	M12 Flat Washer	18
6	M12x85	M12x85	4
7	M12x75	M12x75	4
8	M12x65	M12x65	2
9	M12 anti-loose nut	M12 anti-loose nut	8
10	M12 Spring Washer	M12 Spring Washer	2

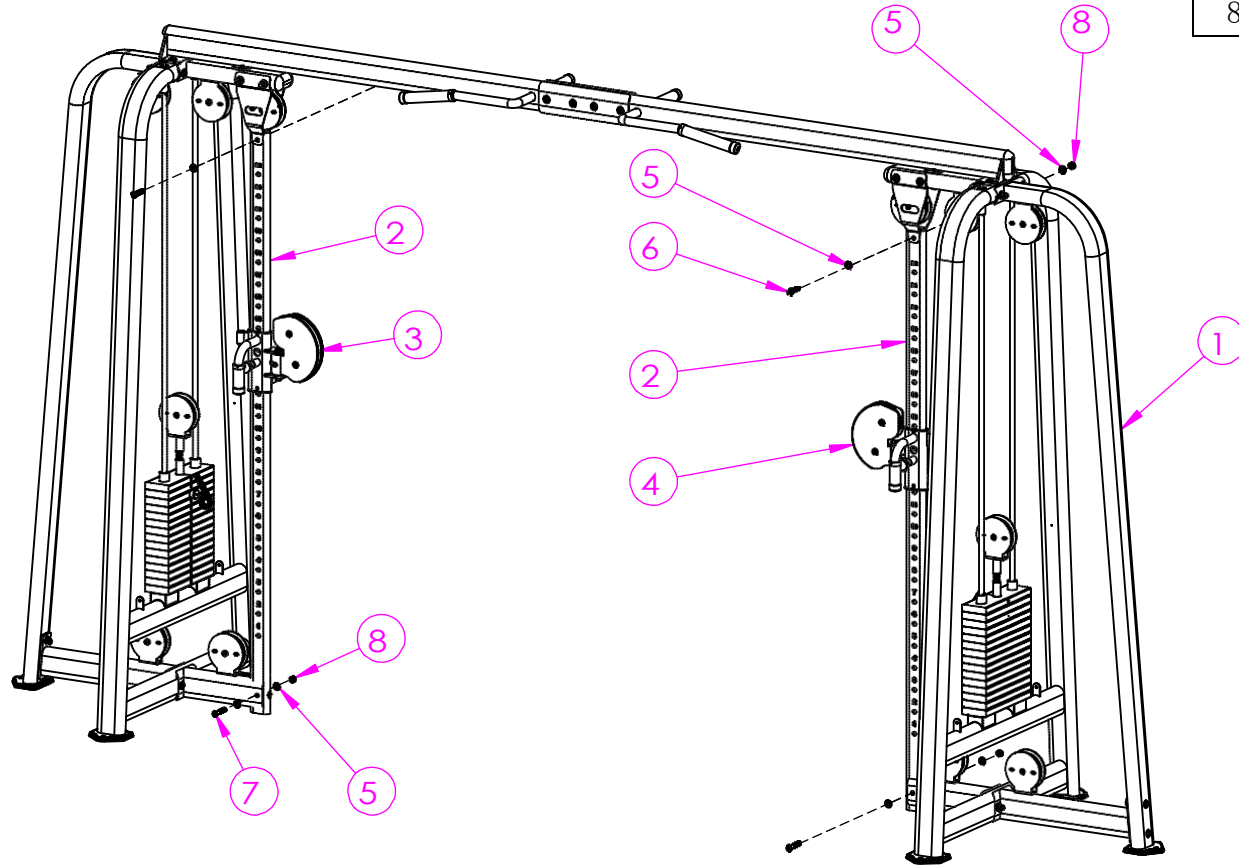




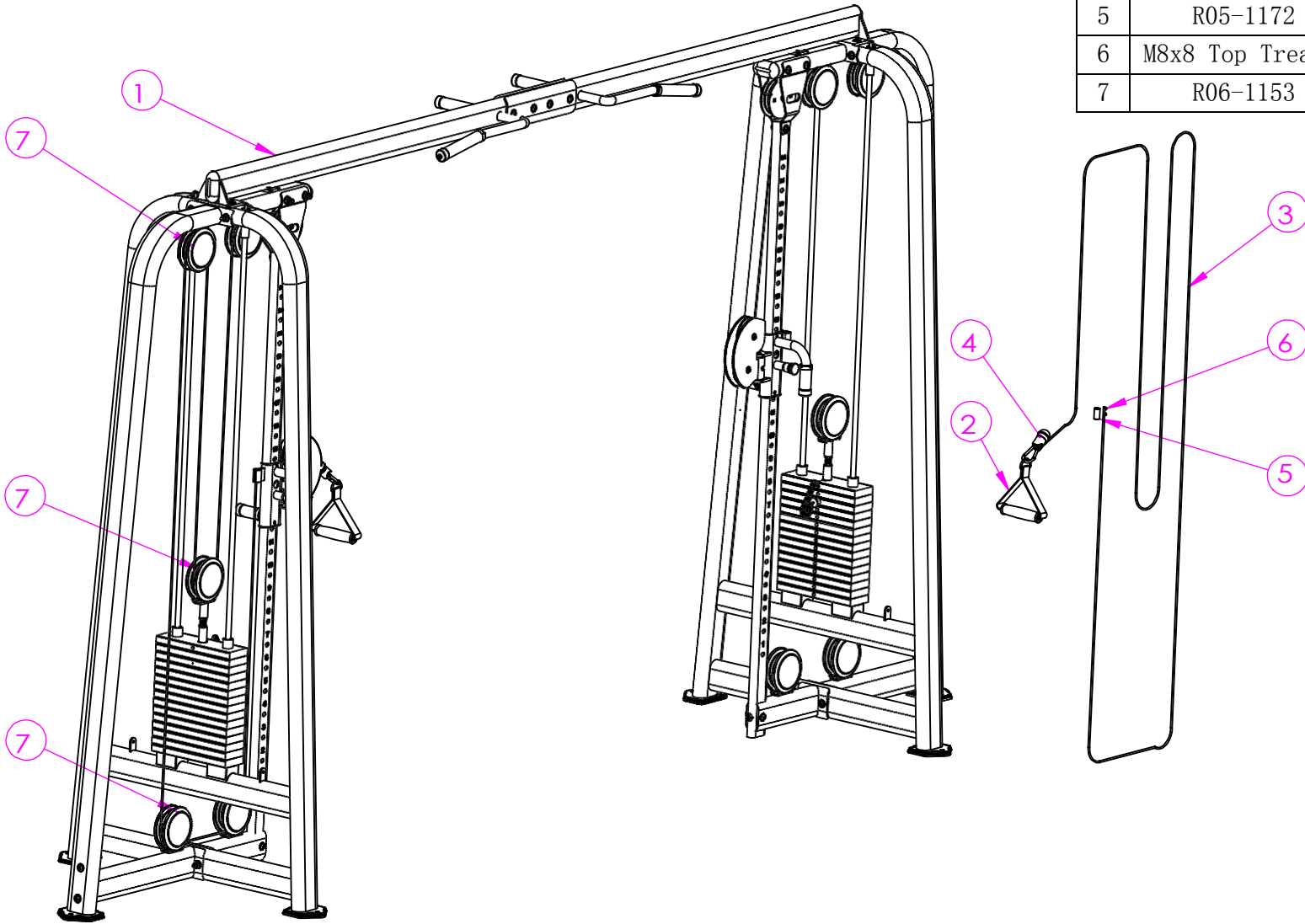
NO	CODE	NAME	QUANTITY
1	Step 2		1
2	R20-1014	15 Pieces	2
3	R03-1027	1.86m Guide Rod	4
4	R03-1072	55Guide Rod Set	4
5	R20-1140	Hanging Box	2
6	R06-1185	Pad	4
7	25 Snap Ring	25 Snap Ring	4
8	M8x70	M8x70	4



NO	CODE	NAME	QUANTITY
1	Step 3		1
2	R01-1081	Electroplate Tube	2
3	R20-1141	Adjustable Box	1
4	R20-1142	Adjustable Box	1
5	M12 Flat Washer	M12Flat Washer	8
6	M12x55	M12x55	2
7	M12x65	M12x65	2
8	M12 anti-loose nut	M12 anti-loose nut	4



NO	CODE	NAME	QUANTITY
1	Step 4		1
2	R12-1002	Bar	2
3	Steel Wire Ropes	Steel Wire Ropes	2
4	R20-1059	Flat Mouth Insurance	2
5	R05-1172	Tread Residue	2
6	M8x8 Top Tread	M8x8 Top	4
7	R06-1153	Pulley Cover	20



NO	CODE	NAME	QUANTITY
1	Step 5		1
2	R02-5416	Cover	2
3	R06-1284	Guide Rod	4
4	M6X16	Cup Head M6X16	4
5	M6 anti-loose nut	M6 anti-loose nut	4
6	Cup Head M6X120	Cup Head M6X120	4

