



RT950 TREADMILL OWNER'S MANUAL

18T Rev D

CAUTION! Read all precautions and instructions in this manual before using this equipment.

! CAUTION

Read all precautions and instructions in this manual before using this equipment.

Table Of Contents

Important Safety Instructions-----	3
Before You Start-----	6
Main Parts List-----	7
Warning-----	8
Using Method-----	9
Warm Up Exercises-----	10
Power Requirements-----	11
Console Information-----	12
Moving Instructions-----	13
Parts List and Exploded View-----	14
Console Panel Functions-----	33
Troubleshooting Guide-----	60
Electrical Connection-----	61
Belt Adjustment and Maintenance-----	62
Maintenance Check List-----	64

Important Safety Instructions

IMPORTANT SAFETY INSTRUCTIONS

When using an electrical appliance, basic precautions should always be followed, including the following:

Read all instructions before using this Treadmill:

DANGER - To reduce the risk of electric shock:

1. Always unplug this appliance from the electrical outlet immediately after using and before cleaning.
2. Do not reach for a plug that has fallen into water. Unplug immediately.
3. Do not use while bathing or in a shower.
4. Do not place or store the treadmill where it can fall or be pulled into a tub or sink. Do not place in or drop into water or other liquid.

WARNING - Heart rate monitoring systems may be inaccurate. Over exercising may result in serious injury or death. If you feel faint stop exercising immediately.

WARNING - To reduce the risk of burns, fire, electric shock, or injury to persons:

1. An appliance should never be left unattended when plugged in. Unplug from outlet when not in use, and before putting on or taking off parts.
2. Do not operate under blanket or pillow. Excessive heating can occur and cause fire, electric shock, or injury to users.
3. Close supervision is necessary when this treadmill is used by, on, or near children, invalids, or disabled persons. Keep children away from extended back, foot support (or other similar parts).
4. Use this treadmill only for its intended use as described in this manual. Do not use attachments not recommended by the manufacturer.
5. Never operate this treadmill if it has a damaged cord or plug, if it is not working properly, if it has been dropped or damaged, or dropped into water. Return the Treadmill to a service center for examination and repair.
6. Do not carry this treadmill by supply cord or use cord as a handle.
7. Keep the cord away from heated surfaces.
8. Never operate the treadmill with the air openings blocked. Keep the air openings free of lint, hair, and the like. Never operate on a soft surface such as a bed or couch where the air openings may be blocked.

Important Safety Instructions

9. Never drop or insert any object into any opening.
10. Do not use outdoors.
11. Do not operate where aerosol (spray) products are being used or where oxygen is being administered.
12. To disconnect, turn all controls to the off position, then remove plug from outlet.
13. Connect this Treadmill to a properly grounded outlet only. See Grounding Instructions.
14. The equipment is designed for commercial use.
15. The product should only be used on a level surface and is with 1x2 meters space around the product.

SAVE THESE INSTRUCTIONS

GROUNDING INSTRUCTION

This product must be grounded. If it should malfunction or breakdown, grounding provides a path of least resistance for electric current to reduce the risk of electric shock. This product is equipped with a cord having an equipment-grounding conductor and a grounding plug. The plug must be plugged into an appropriate outlet that is properly installed and grounded in accordance with all local codes and ordinances.

DANGER - Improper connection of the equipment-grounding conductor can result in a risk of electric shock. Check with a qualified electrician or serviceman if you are in doubt as to whether the product is properly grounded. Do not modify the plug provided with the product - if it will not fit the outlet, have a proper outlet installed by a qualified electrician.

This product is rated more than 15 amperes and is for use on a circuit having a nominal rating of 120 volts and is factory-equipped with a specific electric cord and plug to permit connection to a proper electric circuit. Make sure that the product is connected to an outlet having the same configuration as the plug. No adapter should be used with this product. If the product must be reconnected for use on a different type of electric circuit, the reconnection should be made by qualified service personnel.

Important Safety Instructions

CAUTION - Risk of Injury to Persons - To Avoid Injury, use extreme caution when stepping onto or off of a moving belt. Read Instruction Manual Before Using.

ATTENTION - Risque des blessures aux personnes - Pour éviter des blessures, avec une extrême prudence en marchant sur ou hors d'une ceinture mobile. Lisez le manuel d'instruction avant utilisation.

CAUTION - To Reduce The Risk Of Injury From Moving Parts - Unplug Before Servicing.

ATTENTION - Pour réduire le risque de blessures des pièces mobiles - Débranchez avant l'entretien.

WARNING - To Reduce the Risk of Electric Shock - Unplug Before Cleaning or Servicing.

AVERTISSEMENT - Pour réduire le risque du choc électrique - Débranchez avant le nettoyage ou l'entretien.

This appliance can be used by children aged from 8 years and above and persons with reduced physical, sensory or mental capabilities or lack of experience and knowledge if they have been given supervision or instruction concerning use of the appliance in a safe way and understand the hazards involved. Children shall not play with the appliance. Cleaning and user maintenance shall not be made by children without supervision.

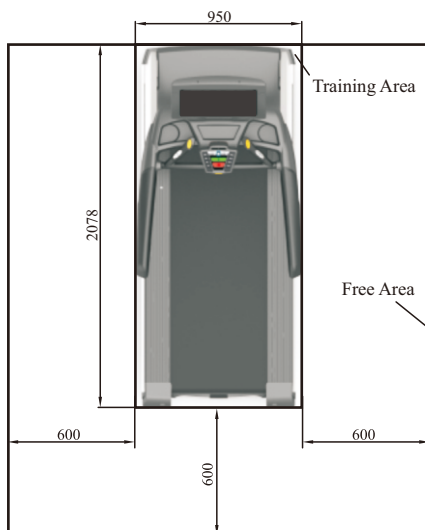
the appliance shall be disconnected from its power source during service and when replacing parts and, if that the removal of the plug is foreseen, it shall be clearly indicated that the removal of the plug has to be such that an operator can check from any of the points to which he has access that the plug remains removed.

Before You Start

Remember to take the time to review owner's manuals before you start.

1. Before using this treadmill or starting any exercise program, consult your physician and accompanied by specialized person. Adjust the speed not over 8KMH.
2. Take the time to perform the stretching exercise provided to avoid injury.
3. If you have heart problems, and/ or the other diseases, do not use the treadmill programs without receiving approval from your physician.
4. Stop exercising or call physician if you feel uncomfortable.
5. Do not leave children unsupervised and disabled person near or on the treadmill. Should be accompanied by supervisors.
6. Running is oxygen exercise, recommended 30 minutes per time is reasonable.
7. Wear comfortable, good-quality walking or running shoes and appropriate clothing. Do not with fibre clothing to avoid electrical shock and damage the treadmill.
8. Do not use the treadmill with bare feet, sandals, socks of stockings to avoid any risk of injuries. Wear comfortable shoes or cotton socks.
9. Failure to follow these instructions will void the treadmill warranty.
10. If the supply cord is damaged, it must be replaced by the manufacturer or its service agent or a similarly qualified person in order to avoid a hazard.

Training Area and Free Area



Specifications

Class: SB

Maximum User Weight: 180kg/ 400lbs

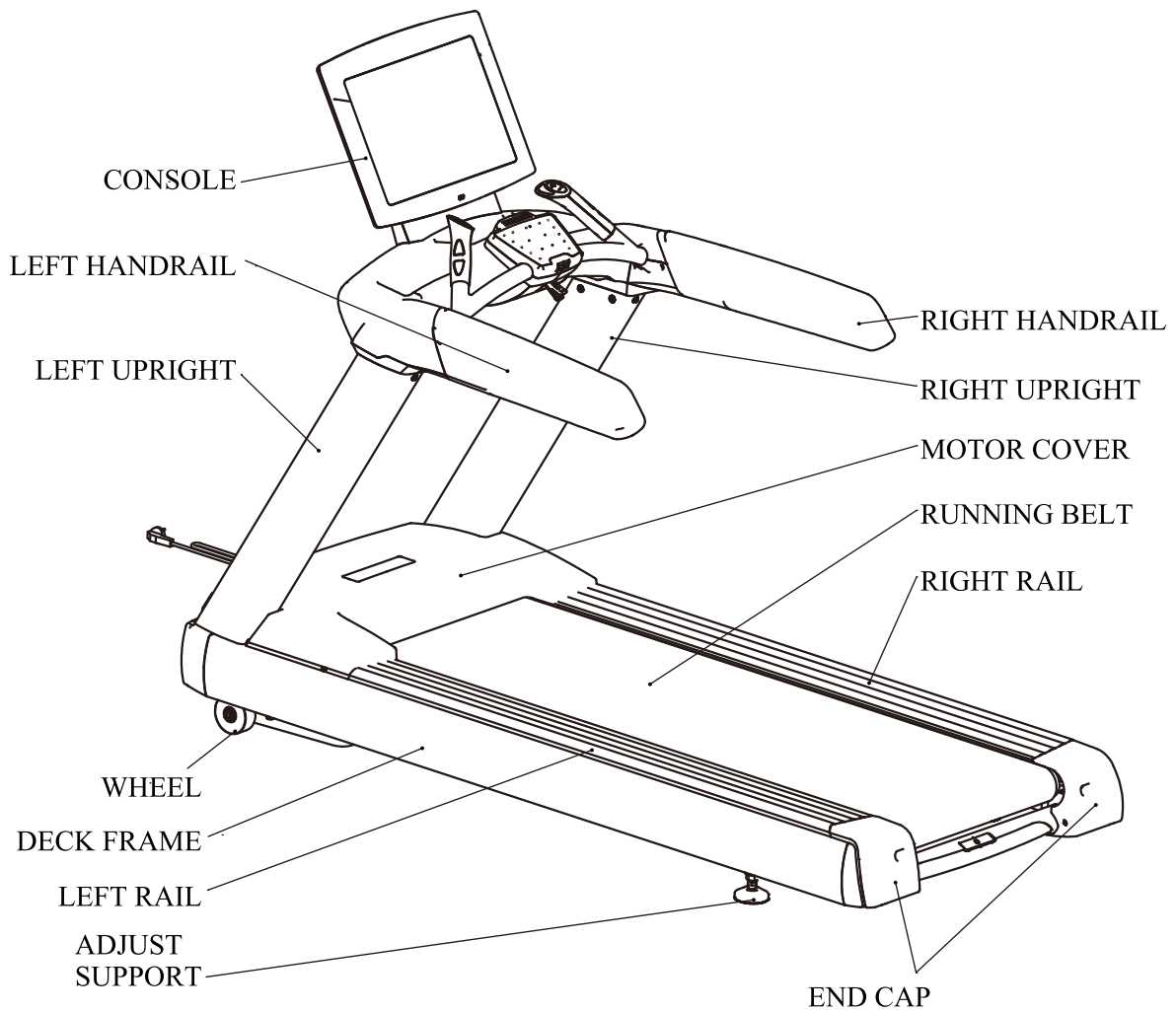
Product Total Surface: 2078*950 mm

Product Total Mass:

Noise around the treadmill using.

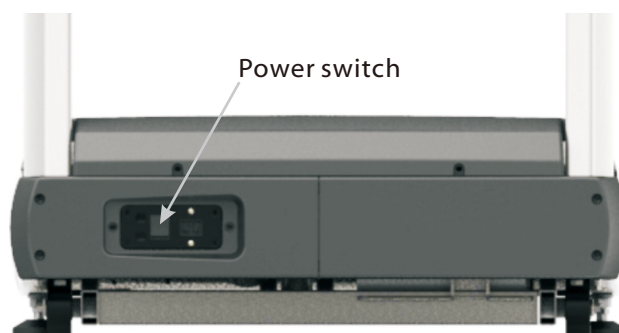
Noise emission under load is higher than without load.

Main Parts List



Warning

Before using this treadmill or starting any exercise program, It is important to review this manual and the following precautions.

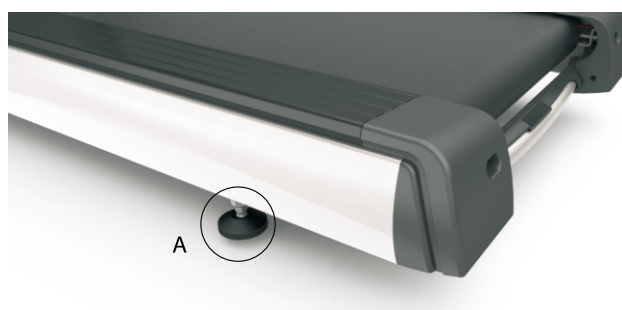


WARNING

1. Always unplug the treadmill after using to keep the life of treadmill and avoid any risk of injuries.
2. In order to protecting your treadmill, spattering water on the machine must be forbidden.

Adjustment Machine

If the ground in user's house is not level, please adjust the adjust support properly which is marked as A in the below figure to make the machine at a leveled place. After adjusting tighten the hex nut by using the double-ended spanner.



Using Method

Please read carefully and using follow the functions:

1. put the plug in the socket, turn on the switch.
2. grasp the handle firmly, stand on the treadmill.
3. Push red safety switch into the casing, tie the safety clip to your cloth, then start the treadmill for exercise.
4. you can operate this device according as the manual set the lowest speed, first then increase the speed gradually.
5. you should grasp the handle firmly by one hand, when you operating the console.
6. Take care to use treadmill. Start from low speed handed to the uprights leaving from treadmill after reducing speed and stopping all functions.
7. Haul the Safety clip linked with red wire on emergency.
8. Keep warm and relax your body after workout.

Exercise time and exercise frequency at a time:

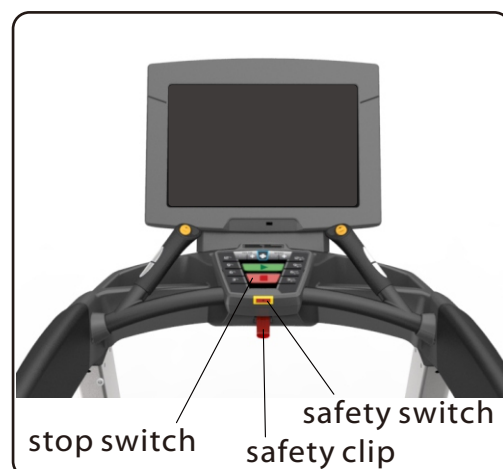
Exercise time: 30minutes----Normal;

Exercise frequency: Warm your body by 10---20minutes under 8Kph,
then increase speed accordingly.

Safety Switch Introduction

When the treadmill is running, the user can press the stop switch directly if he wants to stop it. Then the treadmill will stop slowly. If the user encounters emergency when he using the treadmill he should haul the safety clip linked with red wire, it will trigger the safety switch to stop.

Warning: When use above method to stop running, the running belt will last running for several seconds before completely stop.



Warm Up Exercises

EXERCISE GUIDELINES

WARNING! Before beginning this or any exercise program, you should consult your physician. This is especially important for individuals over the age of 35 or individuals with pre-existing health problems.

Warming up prepares the body for the exercise by increasing circulation, supplying more oxygen to the muscles and raising body temperature. Begin each workout with 5 to 10 minutes of stretching and light exercise to warm up. The photos on this page show several forms of basic stretching you may perform before your workouts. In order to achieve an adequate warm-up, perform each stretch three times.

TOE TOUCH STRETCH

Stand, bending your knees slightly and slowly bend forward from your hips. Allow your back and shoulders to relax as you reach down toward your toes as far as possible. Hold for 15 counts, then relax. This will stretch your hamstrings, back of knees, and back.

HAMSTRING STRETCH

Sit with one leg extended. Bring the sole of the opposite foot toward you and rest it against the inner thigh of your extended leg. Reach toward your toes as far as possible. Hold for 15 counts, then relax. This will stretch your hamstrings, lower back, and groin.

CALF/ACHILLES STRETCH

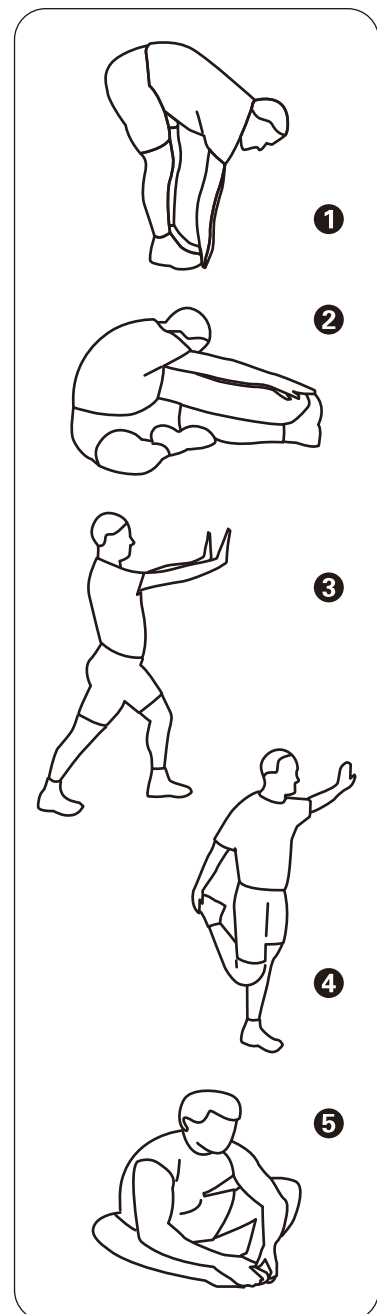
With one leg in front of the other, reach forward and place your hands against a wall. Keep your back leg straight and your back foot flat on the floor. Bend your front leg, lean forward and move your hips toward the wall. Hold for 15 counts, then relax. To cause further stretching of the Achilles tendon, bend your back leg as well. This will stretch your calves, Achilles tendons, and ankles.

QUADRICEPS STRETCH

With one hand against a wall for balance, reach back and grasp one foot with your other hand. Bring your heel as close to your buttocks as possible. Hold for 15 counts, then relax. This will stretch your quadriceps and hip muscles.

INNER THIGH STRETCH

Sit with the soles of your feet together and your knees outward. Pull your feet toward your groin area as far as possible. Hold for 15 counts, then relax. This will stretch your quadriceps and hip muscles.



Power Requirements

IMPROPER CONNECTION OF THE EQUIPMENT GROUNDING CONNECTOR CAN RESULT IN A RISK OF AN ELECTRIC SHOCK. CHECK WITH A QUALIFIED ELECTRICIAN OR SERVICE MAN IF YOU ARE IN DOUBT AS TO WHETHER THE PRODUCT IS PROPERLY GROUNDED. DO NOT MODIFY THE PLUG PROVIDED WITH THE PRODUCT. IF PLUG WILL NOT FIT THE OUTLET, HAVE A PROPER OUTLET INSTALLED BY A QUALIFIED ELECTRICIAN.

This treadmill can be seriously damaged by sudden voltage changes in your home's electrical power. Voltage spikes, surges, and noise interference can result from weather conditions or from other appliances being turned on or off.

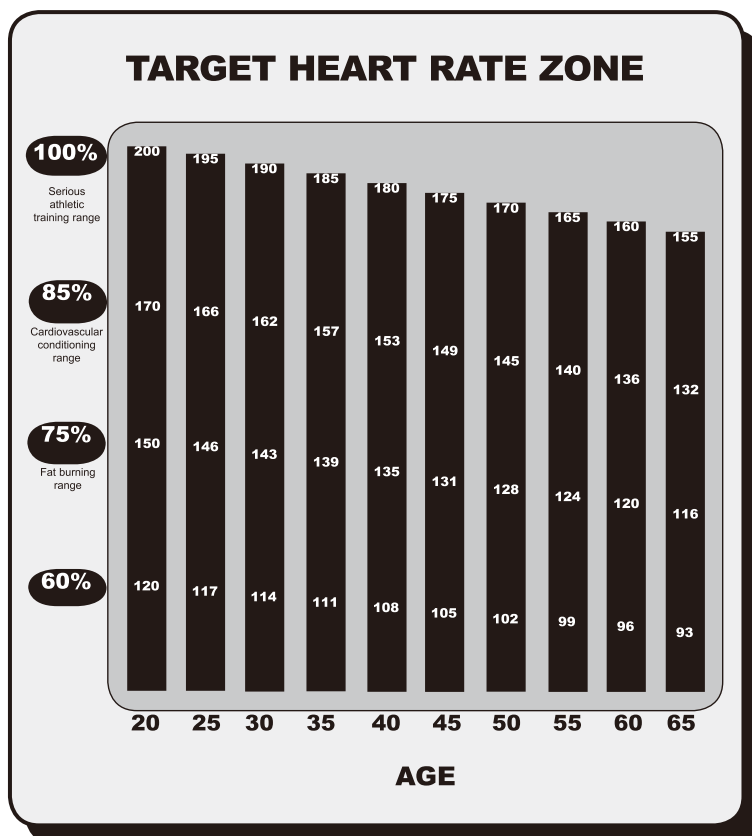
This treadmill must be grounded to reduce the risk of electrical shock. Grounding provides a path of least resistance for electric current should the treadmill malfunction. Always plug the power cord into an appropriate outlet that is properly installed and grounded in accordance with all local codes and ordinances.

Console Information

Before beginning your workout, check your normal resting heart rate. Place your fingers lightly against your neck, or against your wrist over the main artery. After finding your pulse, count the number of beats in 10 seconds. Multiply the number of beats by six to determine your pulse rate per minute. We recommend taking your heart rate at these times; at rest, after warming up, during your workout and two minutes into your cool down, to accurately track your progress as it relates to better fitness.

During your first several months of exercising, the AHA recommends aiming for the lower part of the target heart rate zone-60%, then gradually pro-gressing up to 75%. According to the AHA, exercising above 75% of your maximum heart rate may be too strenuous unless you are in top physical condition. Exercising below 60% of your maximum will result in minimal cardiovascular conditioning.

Check your pulse recovery rate – If your pulse is over 100 bpm five minutes after you stop exercising, or if it's higher than normal the morning after exercising, your exertion may have been too strenuous for your current fitness level. Rest and reduce the intensity next time.



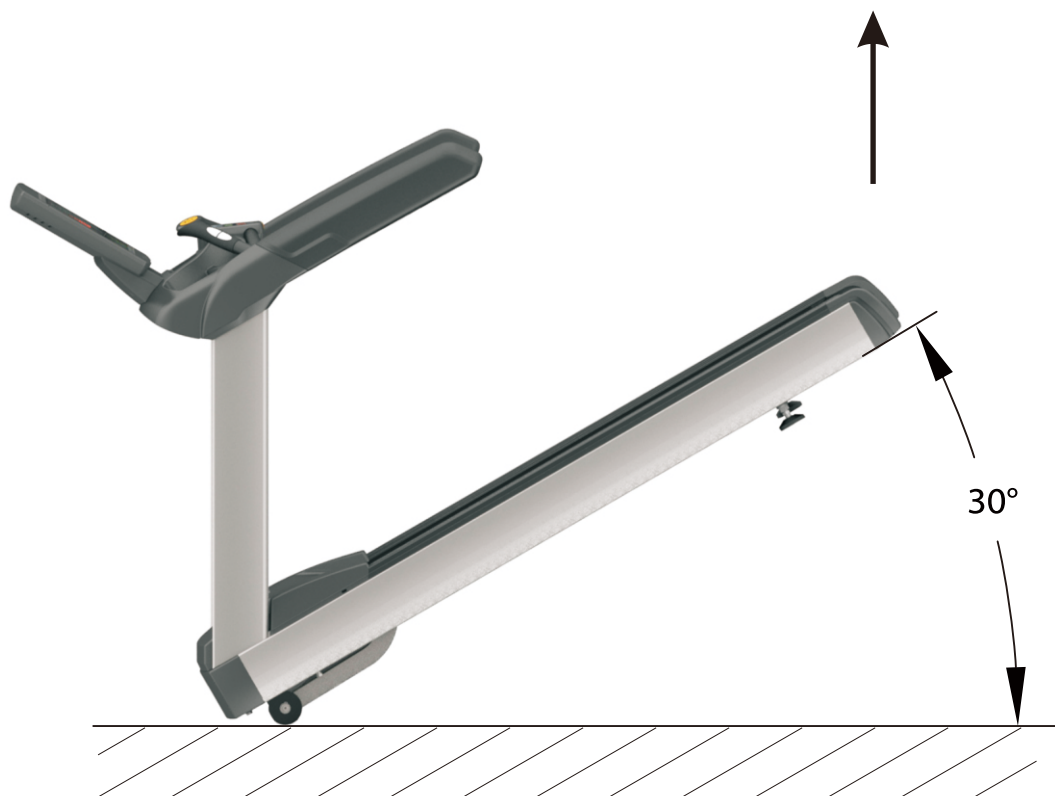
Fitness Safety The target heart rate chart indicates average rate zones for different ages. A variety of different factors (including medication, emotional state, temperature and other conditions) can affect the target heart rate zone that is best for you. Your physician or health care professional can help you determine the exercise intensity that is appropriate for your age and condition.

Moving Instructions

Caution! To avoid the risk of injury, never attempt to move the treadmill while it is operating. To reduce the possibility of injury while lifting, bend your legs and keep your back straight. As you raise the treadmill, lift using your legs, not your back. In order to raise or lower the treadmill safely, you must be able to lift 220 pounds (100kg). It is suggested you always use the aid of a second person when moving the treadmill.

Lift the treadmill back then move it to the desired location. Carefully put down it on the position. Do not attempt to move the treadmill over an uneven or rough surface.

Note: The treadmill's angle can not exceed 30 degrees when lifted the treadmill back.



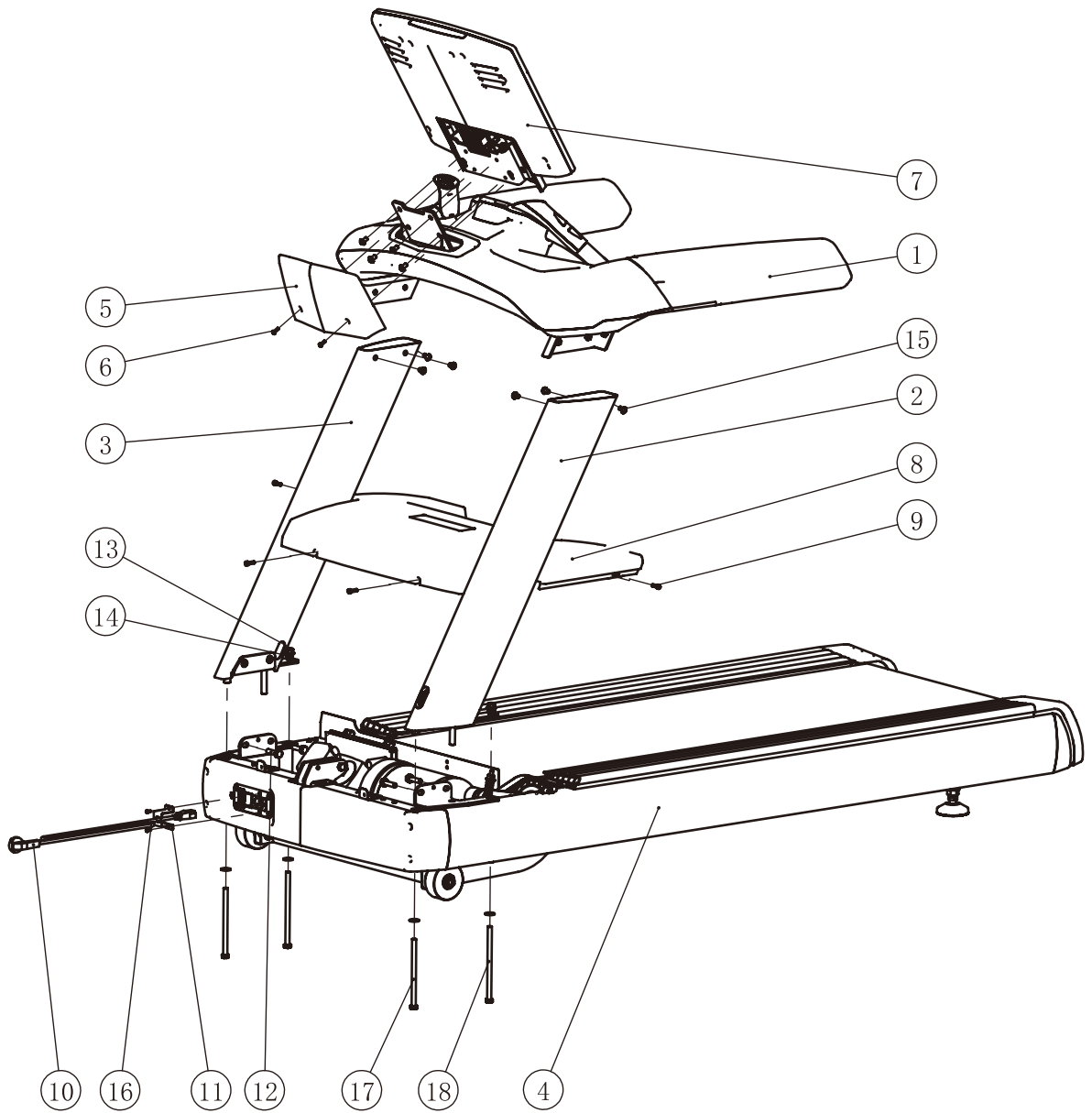
Parts List and Exploded View

Installation Instructions

Item No.	Grade No.	Part No.	Description	QTY
1	1	RT950D01ASSY	Console Frame Assembly	1
2	2	RT95003ASSY	Left Upright ASSY	1
3	3	RT7500300	Right Upright	1
4	4	RT950D04-22WXASSY	Mainframe	1
5	7.6	RT7505300	Neck Back Cover	1
6	7.8	GB818M5*15DS2	Phillip Screw M5*15	10
7	7	RT950D02ASSY	Console ASSY	1
8	4.35	RT7002000	Motor Cover	1
9	4.5	GB70M6*20DHS20	Socket Head Cap Screw M6*20	24
10	10	A01-6	Power Wire	1
11	11	AC2970C1100	Power Wire Fixing plate	1
12	12.1	GB9074.16M10*25DS20	Hex Head Bolt w/ Serrated lock washer M10*40	4
13	12.2	NM10DS2	Locknut M10	2
14	12.3	DQ10DS2A	Washer $\Phi 11 * \Phi 23 * 2$	2
15	12.4	PNLJCM8*20N19	Hexalobular socket pan head tapping screws w/ Serrated lock washer M8*20	10
16	12.5	GB818M4*10DHS2	Phillip Screw M4*10	2
17	4.54	GB5780M10*165*40DS20	Hex Head Bolt M10*165	2
18	4.56	GB5780M10*180DHS2	Hex Head Bolt M10*180	2
19	4.61	L1600JD-SMR-XHB-9	Console Wire Down	1
20	1.3	L700JD-SMP-SMP-9	Console Wire Middle	1
21	1.37	B153	Transit PCB	1
22	7.5.26	L600JD-SMR-XHB-9	Console Wire Up	1
23	7.5.41	L400XHB-SMY-19	Connect Wire	1
24	1.4	L500RFG	RF cable 1	1
25	1.41	L250HDMI-HDMI-20	HDMI cable 2	1
26	1.42	L250RJ45-RJ45-8	NET cable 2	1
27	7.5.35	L500RFG	RF cable 2	1
28	7.5.36	L350HDMI-HDMIB-20	HDMI cable 1	1
29	7.5.37	L350RJ45-RJ45B-8	NET cable 1	1

Parts List and Exploded View

Installation Instructions



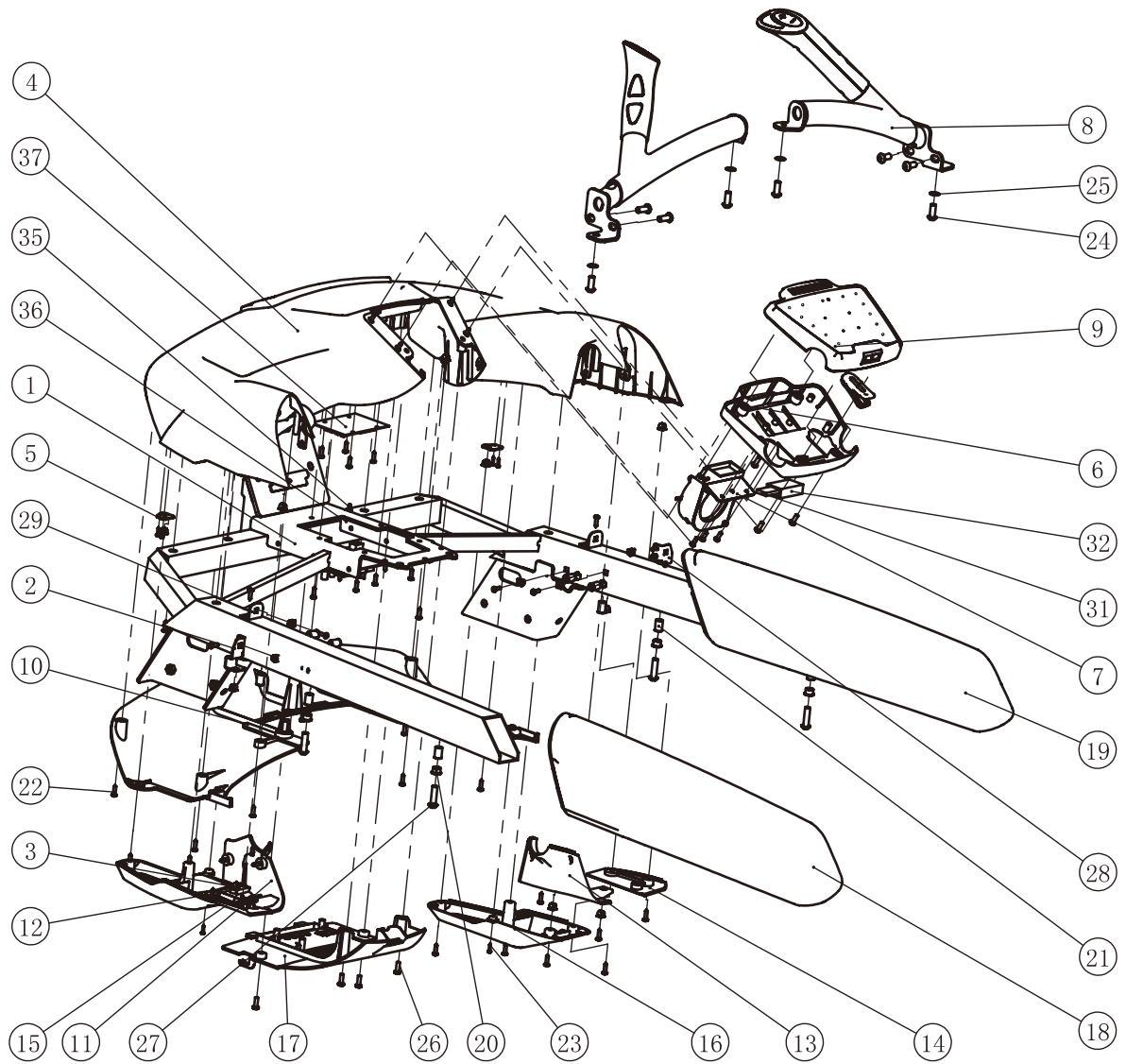
Parts List and Exploded View

Console Frame Assembly

Item No.	Grade No.	Part No.	Description	QTY
1	1.1	RT7500100	Console Frame	1
2	1.2	RT7504100	Left Fixing Plate For Console Frame Bottom Cover	1
3	1.3	ECT74600	Plastic Clip Block	19
4	1.4	RT7505700	Console Frame Uper Casing	1
5	1.5	RT7504300	Fixing Plate For Console Frame Bottom Cover	2
6	1.6	RT7507200	Middle Controller Bottom Cover	1
7	1.7	RT75009ASSY	Fan Assembly	1
8	1.8	RT75012ASSY	Middle Handrail ASSY	1
9	1.9	RT75008ASSY	Middle Controller Upper Casing ASSY	1
10	1.10	RT7505800	Console Frame Bottom Casing	1
11	1.11	RT7505900	Left Handrail Lower inside Cover	1
12	1.12	RT7506100	Left Handrail Lower Outside Cover	1
13	1.13	RT7506000	Right Handrail Lower inside Cover	1
14	1.14	RT7506200	Right Handrail Lower Outside Cover	1
15	1.15	RT7506300	Decorative Cover For Left Upright	1
16	1.16	RT7506400	Decorative Cover For Left Upright	1
17	1.17	RT9506700	Cover Ror Maintain	1
18	1.18	RT7506500	Left Handrail	1
19	1.19	RT7506600	Right Handrail	1
20	1.20	ECU7P0400	Sleeve	4
21	1.21	GB17880.3M8*16.5DS17	Countersunk head hexagon riveted nuts M8	10
22	1.22	GB845ST4.2*16DS	Phillip Screw ST4.2*13	61
23	1.23	GB845ST2.9*13DS	Phillip Screw ST2.9*13	6
24	1.24	PNLM8*20DS2	Hexalobular socket pan head tapping screw M8*20	8
25	1.25	GB861.28DS12	Serrated lock washers Φ 8	4
26	1.26	GB818M5*15DS2	Phillip Screw M5*15	8
27	1.27	PNLM8*30*30DS2	Hexalobular socket pan head tapping screw M8*30	4
28	1.28	RT7504200	Right Fixing Plate For Console Frame Bottom Cover	1
29	1.29	RT7504000	Fixing Plate For Console Frame Upper Casing	2
30	1.30	L700JD-SMP-SMP-9	Console Wire Middle	1
31	1.31	DQXTJS02	Receptor	1
32	1.32	RU5004400	The Receiver Cover	1
33	1.33	K1NF-55 (N)	Ferrite	1
34	1.34	08-0077	Ferrite	2
35	1.35	GB6560M4*8DSG	Phillip Screw M4*8	1
36	1.36	GB862.24DS12	Serrated lock washers Φ 4	1
37	1.37	B153	Transit PCB	1
38	1.38	SD3*150	Band Cable	4
39	1.39	B175-950	Multimedia interface PCB	1
40	1.40	L300XHB-SMR-6B	AV cable 2	1
41	1.41	L250HDMI-HDMI-20	HDMI cable 2	1
42	1.42	L250RJ45-RJ45-8	NET cable 2	1

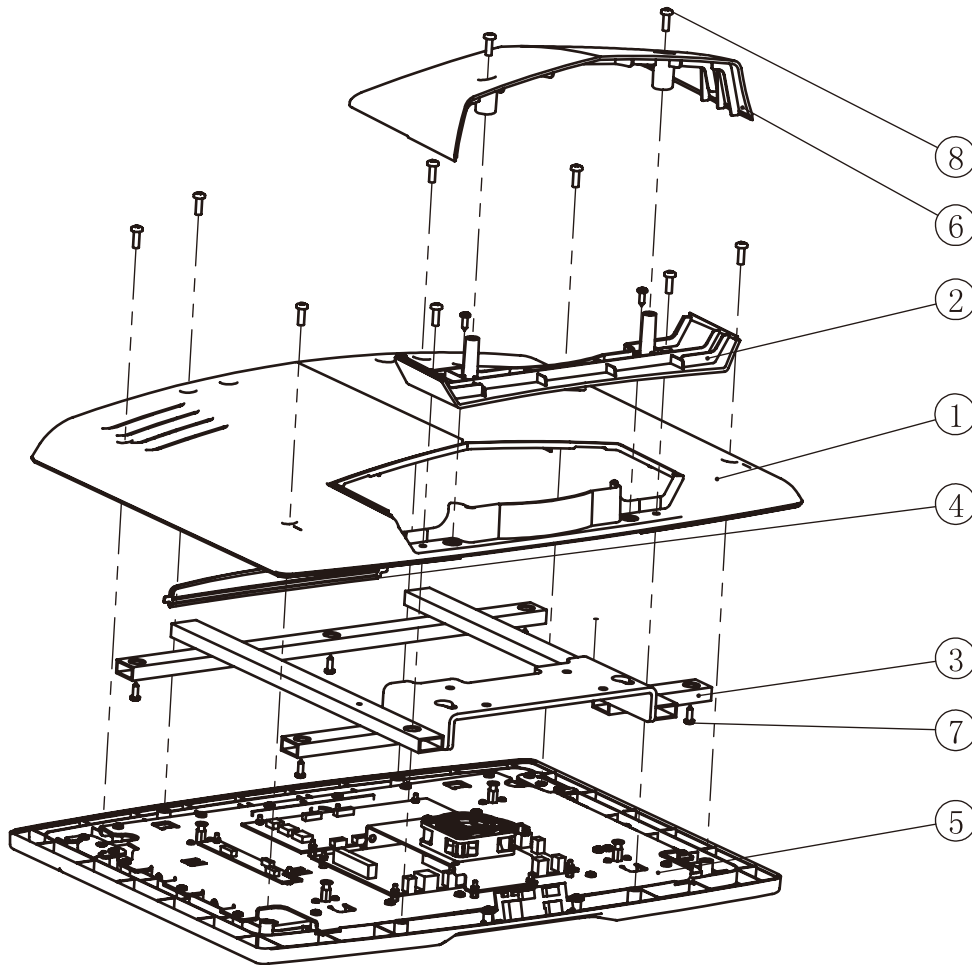
Parts List and Exploded View

Console Frame Assembly



Parts List and Exploded View

Console ASSY



Item No.	Grade No.	Part No.	Description	QTY
1	7.1	RT7505100	Back Cover of Console	1
2	7.2	RT7505200	Neck Front Cover	1
3	7.3	RT9502600	Bracket for Console	1
4	7.4	RT7508400	Upper Block for Back Cover of Console	1
5	7.5	RT950D06-WXASSY	Front Cover of Console ASSY	1
6	7.6	RT7505300	Neck Back Cover	1
7	7.7	GB845ST4.2*13DS	Phillip Screw ST4.2*13	7
8	7.8	GB818M5*15DS2	Phillip Screw M5*15	10

Parts List and Exploded View

Mainframe ASSY

Item No.	Grade No.	Part No.	Description	QTY
1	4.1	RT950D03-22ASSY	Deck Frame and Inverter Frame Assembly	1
2	4.2	AC32700636	Washer $\Phi 30 * \Phi 9 * 3$	6
3	4.3	PT3002800P294U	Bumper A	6
4	4.4	PT3002900P294U	Bumper B	2
5	4.5	AC3170B5200	Bumper	4
6	4.6	RT7501000	Dust Proof Plate	1
7	4.7	RT3002400V1	Deck	1
8	4.8	RT7501700	Running Belt	1
9	4.9	DXD270J12A	V-Belt	1
10	4.10	PT300H22ASSY	Front Roller and Jockey Pulley ASSY	1
11	4.11	RT7003300	Rear Roller	1
12	4.12	RT7508500	Insulation Bumper	1
13	4.13	RT7508000	Insulation Base A	2
14	4.14	RT7508100	Insulation Base B	2
15	4.15	D42-45-RDS	Motor	1
16	4.16	PT300H1400	Pothook	1
17	4.17	STDPA4700	Spring for Jockey Pulley	1
18	4.18	AC32705800	Clip Nut M6	6
19	4.19	DQBPA2.2-22-TD	Inverter	1
20	4.20	Q08	Filter	1
21	4.21	Q11	Inductance	1
22	4.22	RT75013-22ASSY	Switch Cover ASSY	1
23	4.23	RT90014ASSY	Left Side Rail Assembly	1
24	4.24	RT90015ASSY	Right Side Rail Assembly	1
25	4.25	RT7002700	Left Rear Decorative Cover	1
26	4.26	RT7002900	Middle Protective Cover	1
27	4.27	RT7002500	Left End Cap	1
28	4.28	RT7002800	Right Rear Decorative Cover	1
29	4.29	RT7002600	Right End Cap	1
30	4.30	RT7001100	Front Motor Cover Fixing L Plate	2
31	4.31	RT7001200	Motor Cover Fixing L Plate	2
32	4.32	RT7001400	Front Cover Fixing Plate	2
33	4.33	RT7002200	Right Front Decorative Cover	1
34	4.34	RT7002100	Left Front Decorative Cover	1

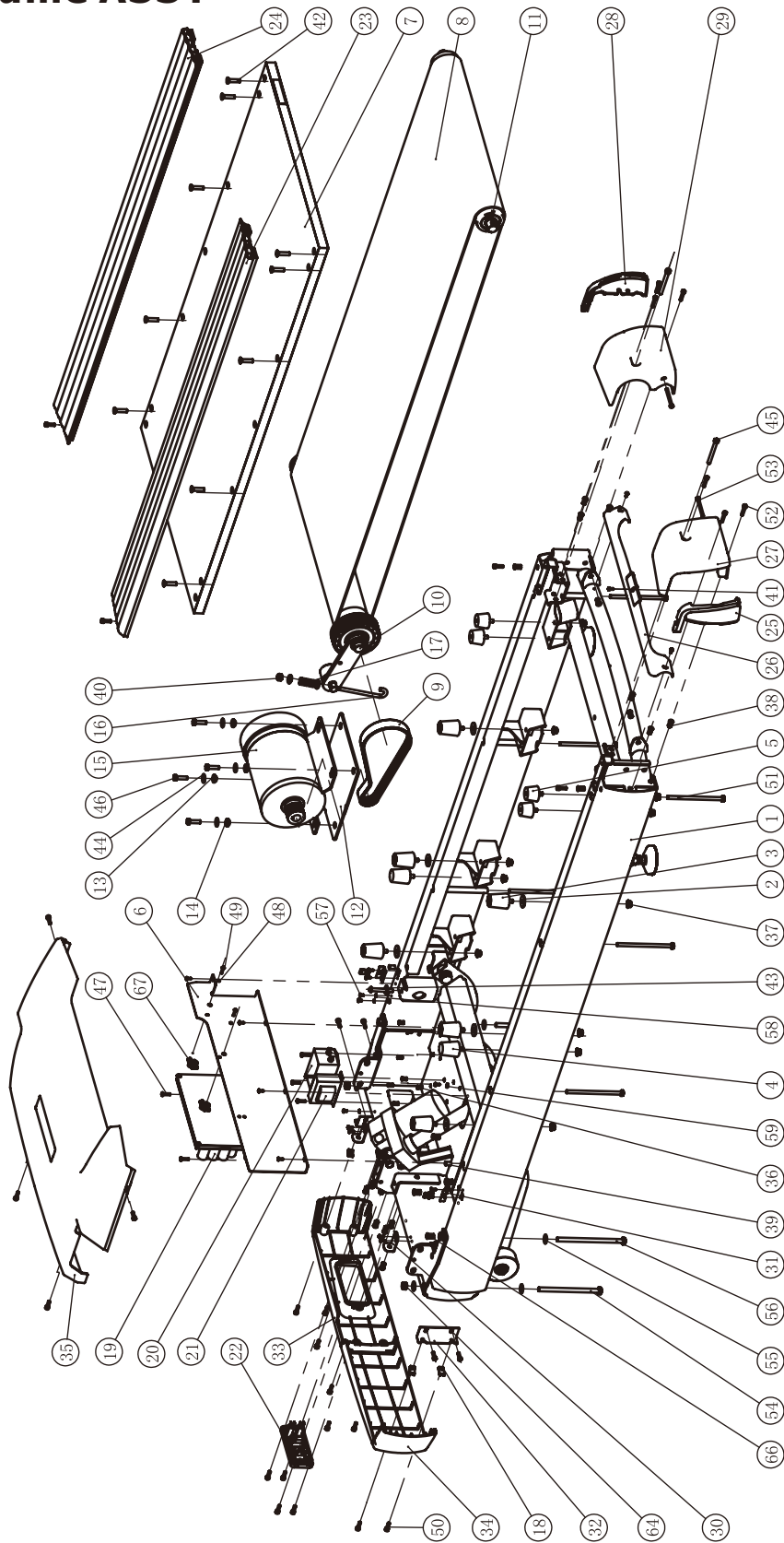
Parts List and Exploded View

Mainframe ASSY

Item No.	Grade No.	Part No.	Description	QTY
35	4.35	RT7002000	Motor Cover	1
36	4.36	GB17880.3M5*13DS17	Countersunk head hexagon riveted nuts M5	6
37	4.37	STDP6800	Locknut M8	12
38	4.38	GB17880.5M6*16.5DS17	Flat head hexagon riveted nuts M6	18
39	4.39	GB17880.3M6*15DS17	Countersunk head hexagon riveted nuts M6	2
40	4.40	NM8DS2	Locknut M8	1
41	4.41	GB845ST4.2*13DS	Phillip Screw ST4.2*13	20
42	4.42	CNLM8*35DHS20NL	Hexagon socket countersunk head cap head screw M8*35	10
43	4.43	PNLM8*60DS20	Hexalobular socket pan head tapping screw M8*60	1
44	4.44	DQ8DS2A	Washer Φ 9* Φ 22*2	7
45	4.45	GB70M8*80*80DHS6	Socket Head Cap Screw M8*80	2
46	4.46	GB5780M8*30DS20NL	Hex Head Bolt M8*30	4
47	4.47	GB818M5*20DS2	Phillip Screw M5*20	6
48	4.48	GB934DHS12	Spring Washer Φ 6	2
49	4.49	GB818M4*20DS2	Phillip Screw M4*20	2
50	4.50	GB70M6*20DHS20	Socket Head Cap Screw M6*20	24
51	4.51	GB5780M8*150DS2	Hex Head Bolt M8*150	6
52	4.52	GB70M6*30DS4	Phillip Screw M6*30	6
53	4.53	GB70M6*45DS4	Socket Head Cap Screw M6*60	2
54	4.54	GB5780M10*165*40DS20	Hex Head Bolt M10*165	2
55	4.55	DQ10DS2A	Washer Φ 11* Φ 23*2	6
56	4.56	GB5780M10*180DHS2	Hex Head Bolt M10*180	2
57	4.57	GB6560M4*8DSG	Phillip Screw M4*8	4
58	4.58	GB862.24DS12	Serrated lock washers Φ 4	4
59	4.59	DQXK8.4	U-shape Wires Clip	3
60	4.60	L500M42816-3	Connect wire	1
61	4.61	L1600JD-SMR-XHB-9	Console Wire Down	1
62	4.62	LD2000	Protective Sleeve	1
63	4.63	SD3*150	Band Cable	4
64	4.64	GB41M10DS2	Nut M10	4
65	4.65	08-0077	Ferrite	2
66	4.66	GB17880.5M8*16.5DCS17	M8*16.5	4
67	4.67	RT7508600	Holder for Inverter	2

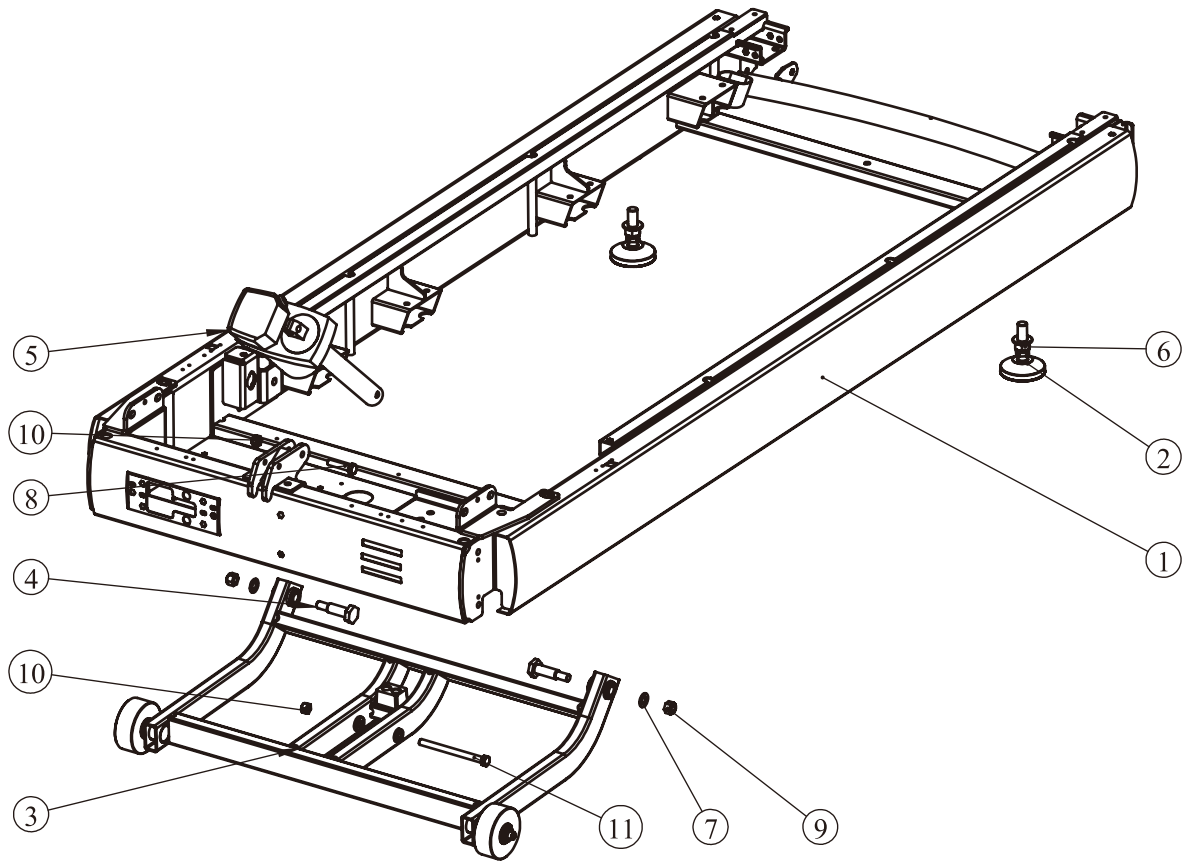
Parts List and Exploded View

Mainframe ASSY



Parts List and Exploded View

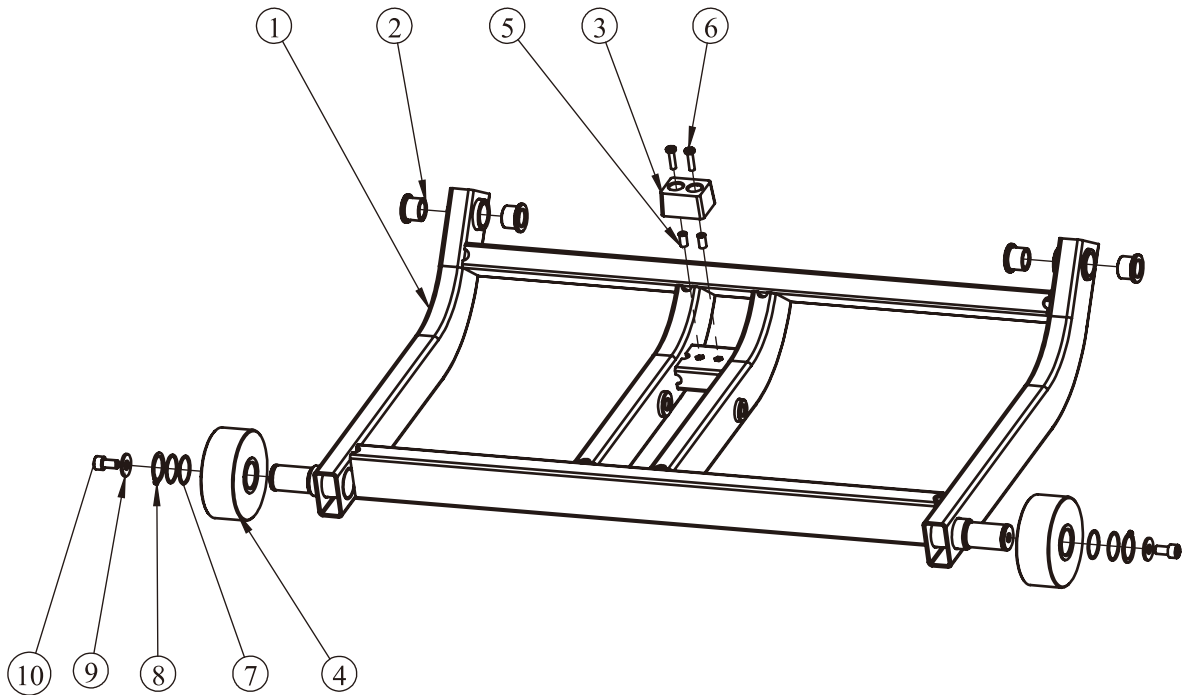
Deck Frame and Inverter Frame ASSY



Item No.	Grade No.	Part No.	Description	QTY
1	4.1.1	RT700H0400	Deck Frame	1
2	4.1.2	STDP3400	Adjust Support	2
3	4.1.3	RT75005ASSY	Inverter Frame ASSY	1
4	4.1.4	RT7001900	Hex Head Bolt M10*130	2
5	4.1.5	R37-22-RDS	Actuator	1
6	4.1.6	GB6177M16DS2	Hex Flange Nut M16	2
7	4.1.7	DQ12DS2A	Washer $\Phi 13 * \Phi 24 * 1.5$	2
8	4.1.8	NM12DS2	Locknut M12	2
9	4.1.9	GB5780M10*45DS20	Hex Head Bolt M10*45	1
10	4.1.10	NM10DS2	Locknut M10	2
11	4.1.11	GB5780M10*130DS20	Hex Head Bolt M10*130	1

Parts List and Exploded View

Inverter Frame ASSY



Item No.	Grade No.	Part No.	Description	QTY
1	4.1.3.1	RT7500500	Inverter Frame	1
2	4.1.3.2	L1-6800	Neck Bush	4
3	4.1.3.3	IN-B75052000	Ground Bumper	1
4	4.1.3.4	DC29002200	Wheel	2
5	4.1.3.5	GB17880.3M5*13DS17	Countersunk Head Hexagon Riveted Nuts M5	2
6	4.1.3.6	GB818M5*20DS2	Phillip Screw M5*20	2
7	4.1.3.7	DQ25DHS2B	Adjust Washer Φ 25	4
8	4.1.3.8	GB894.125FH12	Circlip For Shaft	2
9	4.1.3.9	DQ8DHS2A	Washer Washer Φ 9* Φ 28*2	2
10	4.1.3.10	GB70M8*15DHS4	Socket Head Cap Screw M8*15	2

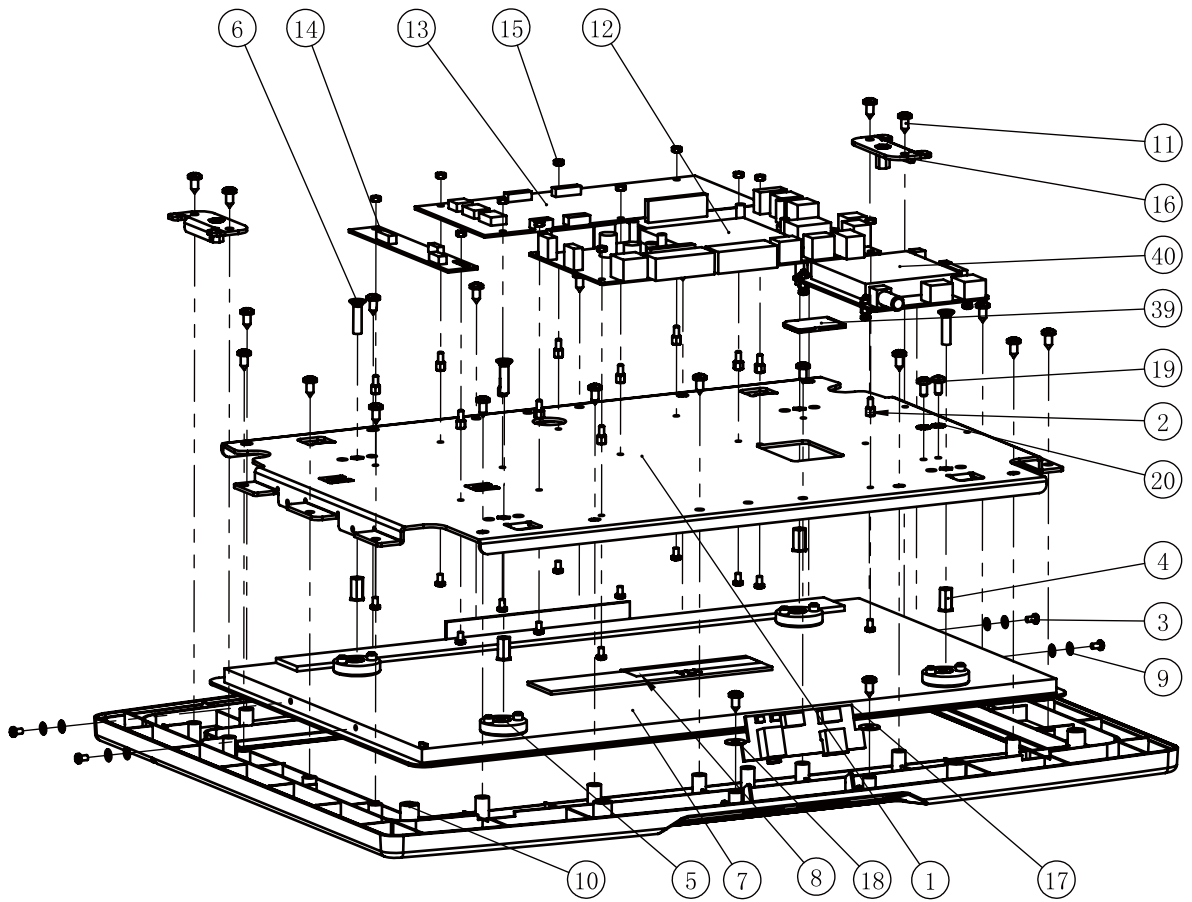
Parts List and Exploded View

Front Cover of Console ASSY

Item No.	Grade No.	Part No.	Description	QTY
1	7.5.1	RT9501800V1	Bracket for TFT	1
2	7.5.2	PT500H1700	Connect pillar	16
3	7.5.3	GB818M3*5DS2	Phillip Screw M3*5	20
4	7.5.4	GB17880.3M5*13DS17	Countersunk head hexagon riveted nuts M5	4
5	7.5.5	RT9502000	Rubber cushion	4
6	7.5.6	GB819M5*20DS2	Countersunk flat head screws M5*20	4
7	7.5.7	CM185-C	LCD Touch Screen	1
8	7.5.8	B171	Transfer PCB for LCD Touch Screen	1
9	7.5.9	DQ3DS2	Washer ϕ 3.2* ϕ 7*0.5	8
10	7.5.10	RT9505000	Front cover of Console	1
11	7.5.11	GB845ST4.2*9.5DS	Phillip Screw ST4.2*9.5	24
12	7.5.12	B227-WX	Main PCB	1
13	7.5.13	B191	Communication control board	1
14	7.5.14	B174	Constant current PCB	1
15	7.5.15	GB41M3DS2	Nut M3	16
16	7.5.16	RT95005ASSY	Connect plate ASSY	2
17	7.5.17	B192	USB and headphone jack PCB	1
18	7.5.18	DQ4DS2	Washer ϕ 4.5* ϕ 12*0.8	2
19	7.5.19	GB6560M4*8DSG	Phillip Screw ST4.2*32	2
20	7.5.20	GB862.24DS12	External toothed lock washer ϕ 4	2
21	7.5.21	SDZ21	holder for Band Cable	5
22	7.5.22	SD4*150	Band Cable	8
23	7.5.23	L600JD-SMR-XHB-9	Console Wire Up	1
24	7.5.24	08-0077	Ferrite	2
25	7.5.25	L150XHB-PHD-6A	Cable connect USB and LCD Touch Screen	1
26	7.5.26	L450NJ-30	Cable for LCD Touch Screen	1
27	7.5.27	L100TH-XHB-14A	Key transfer wire	1
28	7.5.28	L500XHB-TH-4A	Serial connection wire	1
29	7.5.29	L150XHB-XHB-10A	Power adapter cable	1
30	7.5.30	L500TH-TH-6A	Wire for Constant current PCB	1
31	7.5.31	L200XHB-XHB-6D	AV transfer cable	1
32	7.5.32	L500RFG	RF Cable 1	1
33	7.5.33	L350HDMI-HDMIB-20	HDMI cable 1	1
34	7.5.34	L350RJ45-RJ45B-8	NET cable 1	1
35	7.5.35	L200XHB-YP3.5-3	Headphone jack wire	1
36	7.5.36	L300XHB-XHB-5A	USB cable	1
37	7.5.37	L350AMP175022-JD-1	Earth wire	1
38	7.5.38	L400XHB-SMY-19	Connect Wire	1
39	7.5.39	DQSD32G	SD Memory Card	1
40	7.5.40	DTV01	Digital TV module	1
41	7.5.41	L500HDMI-TV	Digital TV module connector cable	1

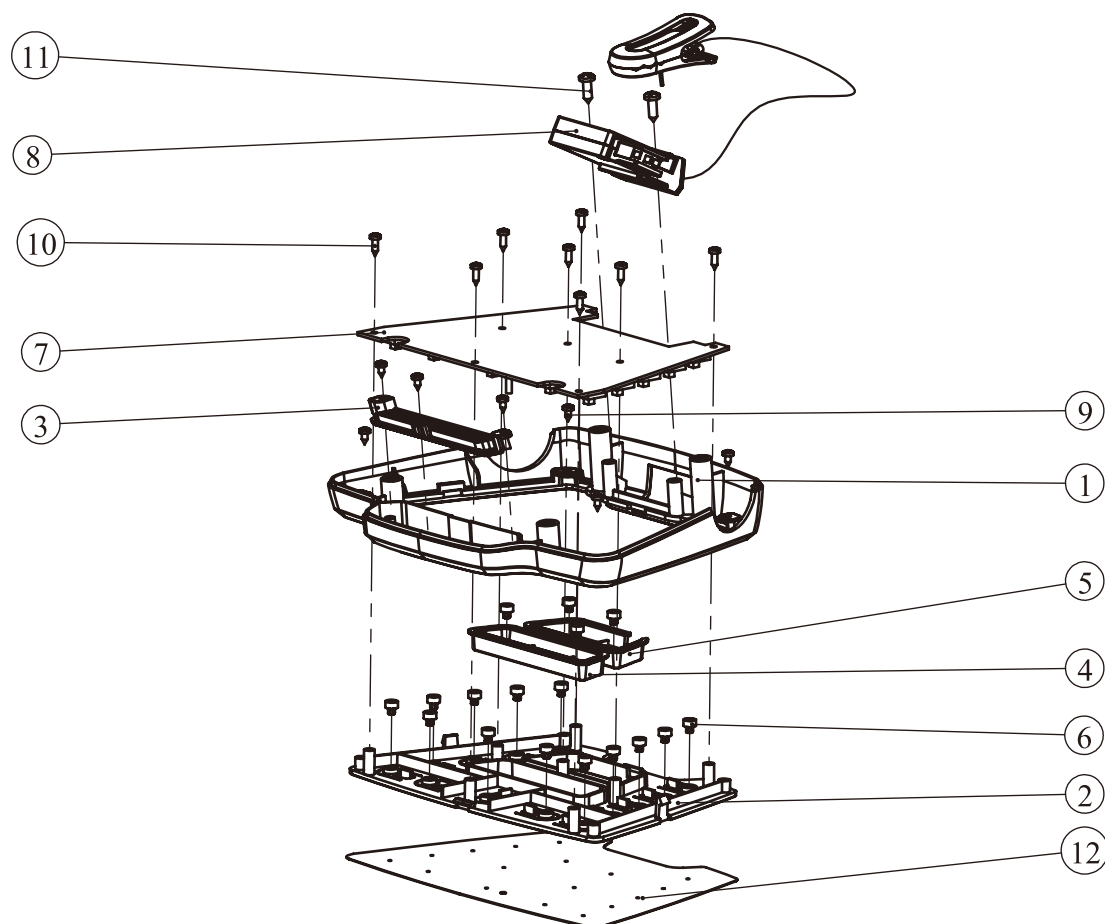
Parts List and Exploded View

Front Cover of Console ASSY



Parts List and Exploded View

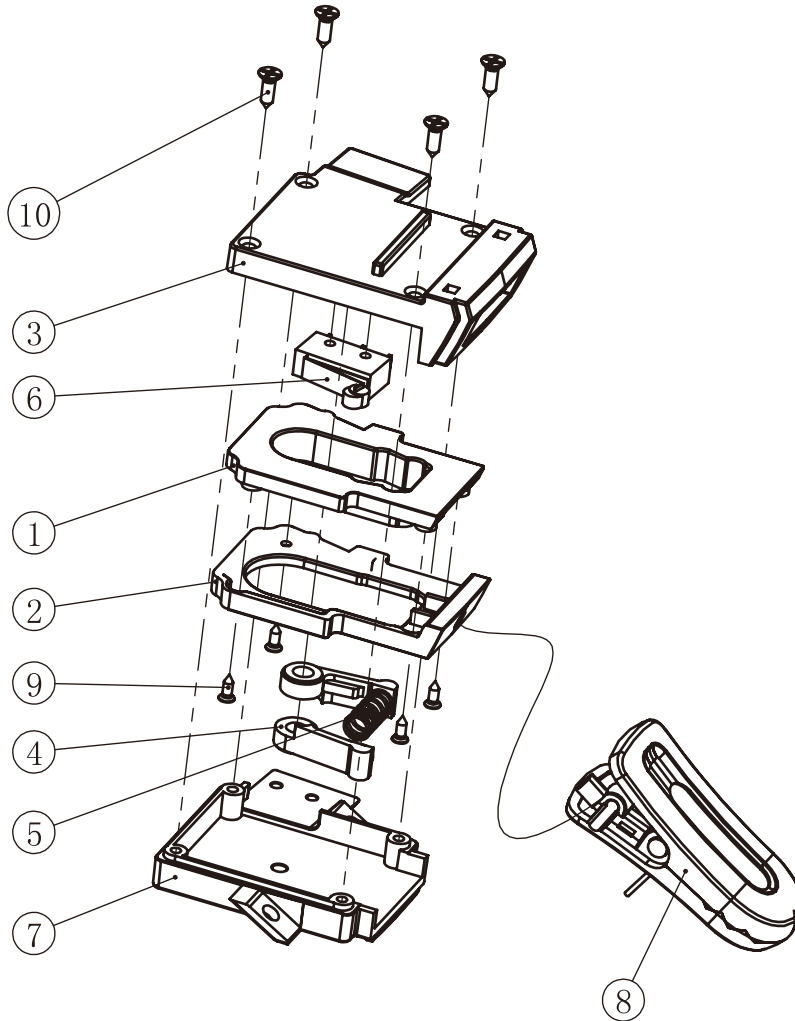
Middle Controller Upper Casing ASSY



Item No.	Grade No.	Part No.	Description	QTY
1	1.9.1	RT7507100	Middle Controller Upper Casing	1
2	1.9.2	RT7506800	Middle Controller Key Casing	1
3	1.9.3	RT7508300	Air Duct Cover	1
4	1.9.4	RT7506900	Start Key	1
5	1.9.5	RT7507000	Stop Key	1
6	1.9.6	ECT74800	Buffer Pad For Key	17
7	1.9.7	B154	PCB For Middle Controller Upper Casing	1
8	1.9.8	RT75010ASSY	Emergency Switch ASSY	1
9	1.9.9	GB845ST2.9*6.5DS	Phillip Screw ST2.9*6.5	7
10	1.9.10	GB845ST2.9*9.5DS	Phillip Screw ST2.9*9.5	8
11	1.9.11	GB845ST4.2*13DS	Phillip Screw ST4.3*13	2
12	1.9.12	RT750MM02	A ZONE Overlay	1

Parts List and Exploded View

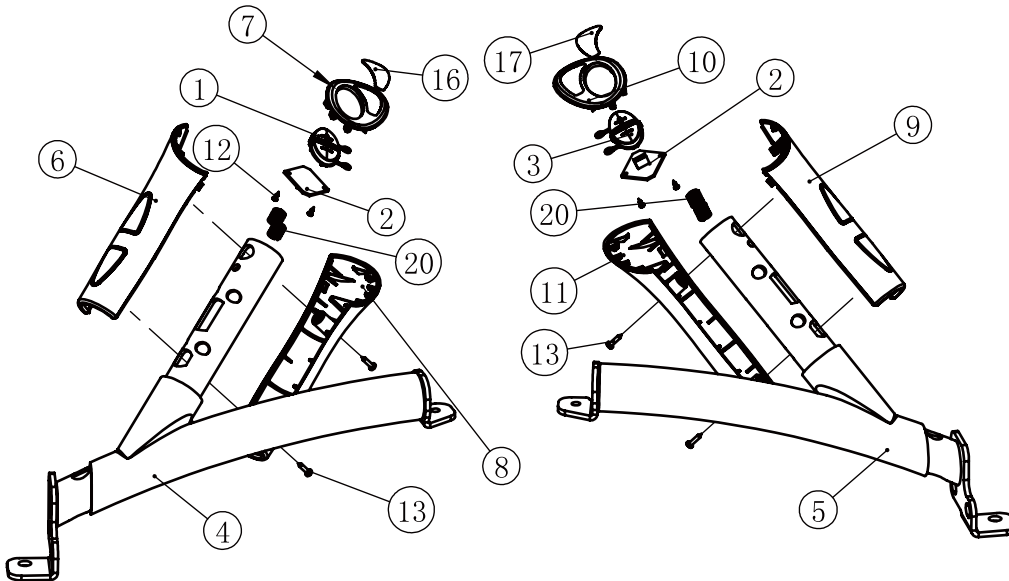
Emergency Switch ASSY



Item No.	Grade No.	Part No.	Description	QTY
1	1.9.8.1	RT7507600	Upper Casing For Emergency Switch Pull Rope	1
2	1.9.8.2	RT7507700	Bottom Casing For Emergency Switch Pull Rope	1
3	1.9.8.3	RT7507400	Upper Casing For Emergency Switch	1
4	1.9.8.4	RT7507800	Locating Rod	2
5	1.9.8.5	RT7504900	The Pressure Spring	1
6	1.9.8.6	F83	Emergency Switch	1
7	1.9.8.7	RT7507500	Bottom Casing For Emergency Switch	1
8	1.9.8.8	STDP4012	Safe Key Clamp	1
9	1.9.8.9	GB846ST2.2*6.5DS	Phillip Screw ST2.2*6.5	4
10	1.9.8.10	GB846ST2.9*13DS	Phillip Screw ST2.9*13	4

Parts List and Exploded View

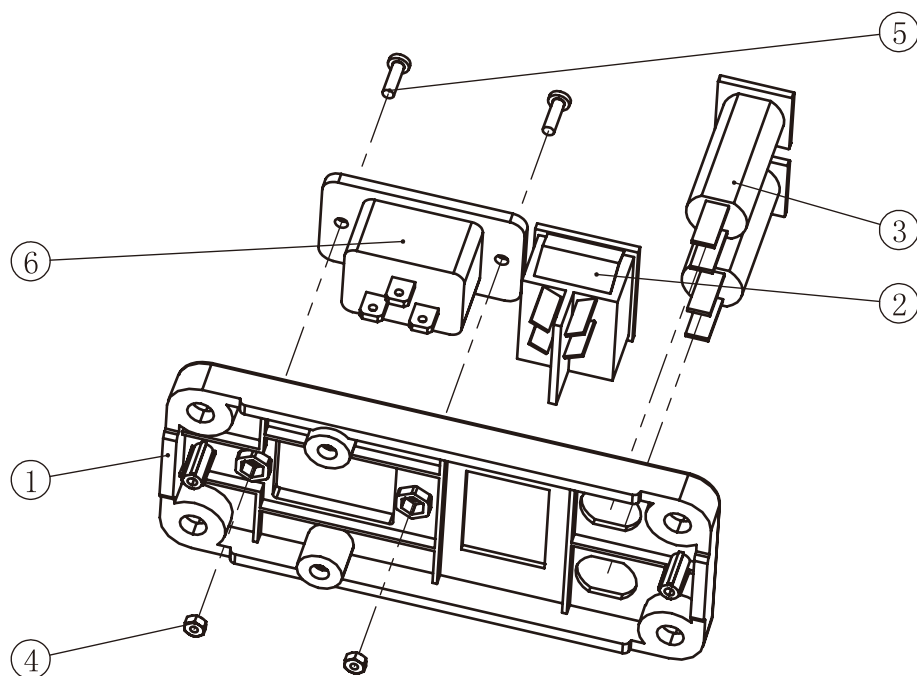
Middle Handrail ASSY



Item No.	Grade No.	Part No.	Description	QTY
1	1.8.1	X17K	Incline Key	1
2	1.8.2	F31	Spd And Incl Pcb	2
3	1.8.3	X19K	Speed Key	1
4	1.8.4	RT7500600	Left Middle Handrail Bracket	1
5	1.8.5	RT7500700	Right Middle Handrail Bracket	1
6	1.8.6	X12RV1	Left Cover W/ Pulse Plate	1
7	1.8.7	X12T	Pulse Plate Top Cover	1
8	1.8.8	X12L	Pulse Plate Left Cover	1
9	1.8.9	X13RV1	Right Cover W/ Pulse Plate	1
10	1.8.10	X13T	Pulse Plate Top Cover	1
11	1.8.11	X13L	Pulse Plate Left Cover	1
12	1.8.12	GB845ST2.2*6.5DS	Phillip Screw ST2.2*6.5	4
13	1.8.13	GB845ST2.9*13N19	Phillip Screw ST2.9*13	4
14	1.8.14	L800XHB-XHP-6	Spd And Incl Connect wire	1
15	1.8.15	L1000ST0-XHB-4	Pulse Connect Wire	1
16	1.8.16	RT700TZ02	Sticker For Incl	1
17	1.8.17	RT700TZ01	Sticker For Spd	1
18	1.8.18	DQCH01-SBD	Ferrite	2
19	1.8.19	SMJ10*1*1000	Double side stick	1
20	1.8.20	L100800	Spring	4

Parts List and Exploded View

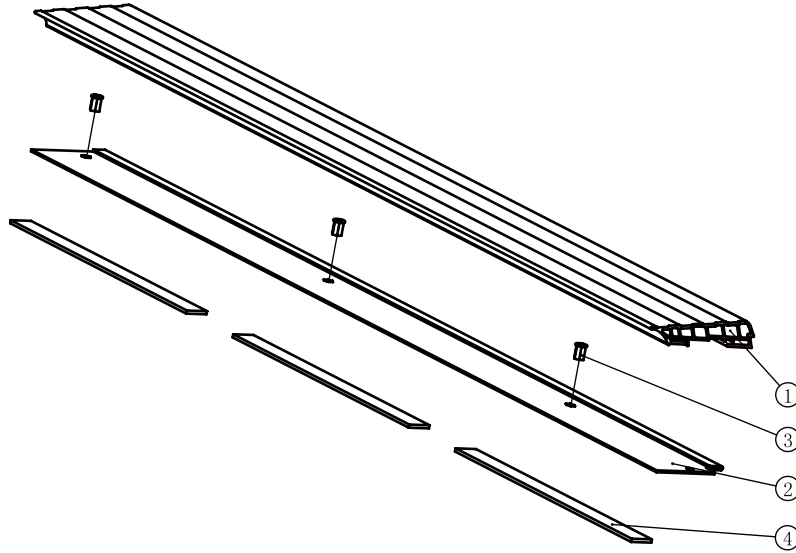
Switch Cover ASSY



Item No.	Grade No.	Part No.	Description	QTY
1	4.22.1	RT7003000	Switch Cover	1
2	4.22.2	F23	Power Switch	1
3	4.22.3	Z13	Power Outlet	1
4	4.22.4	13-0009	Fuse	2
5	4.22.5	GB41M3DS2	Nut M3	2
6	4.22.6	GB818M3*10DS2	Phillip Screw M3*10	2
7	4.22.7	L350AMP175022-JD-1	Earth Wire	1
8	4.22.8	L100AMP175022-1-L-14	Connect Wire	2
9	4.22.9	L100AMP175022-1-N-14	Connect Wire	2
10	4.22.10	DQCH01-SBD	Ferrite	1
11	4.22.11	L400AMP175022-1-N-14	Connect Wire	1

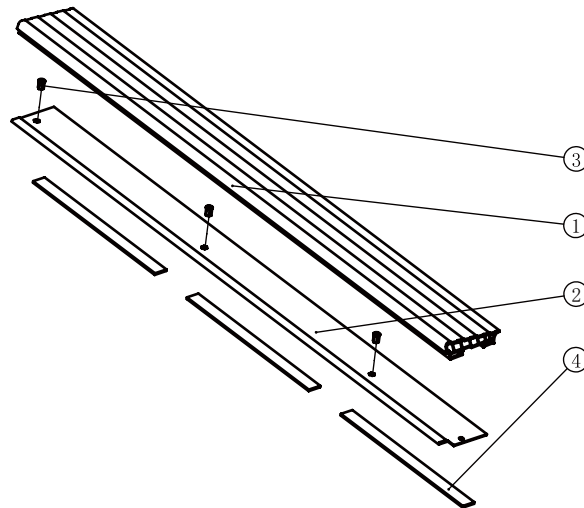
Parts List and Exploded View

Left Side Rail Assembly



Item No.	Grade No.	Part No.	Description	QTY
1	4.23.1	RT7007200	Left Side Rail	1
2	4.23.2	RT7007400	Frame for Left Side Rail	1
3	4.23.3	PT300H5200	Single Sided Adhesive	3
4	4.23.4	GB17880.5M8*16.5DCS17	Flat head hexagon riveted nuts M8	3

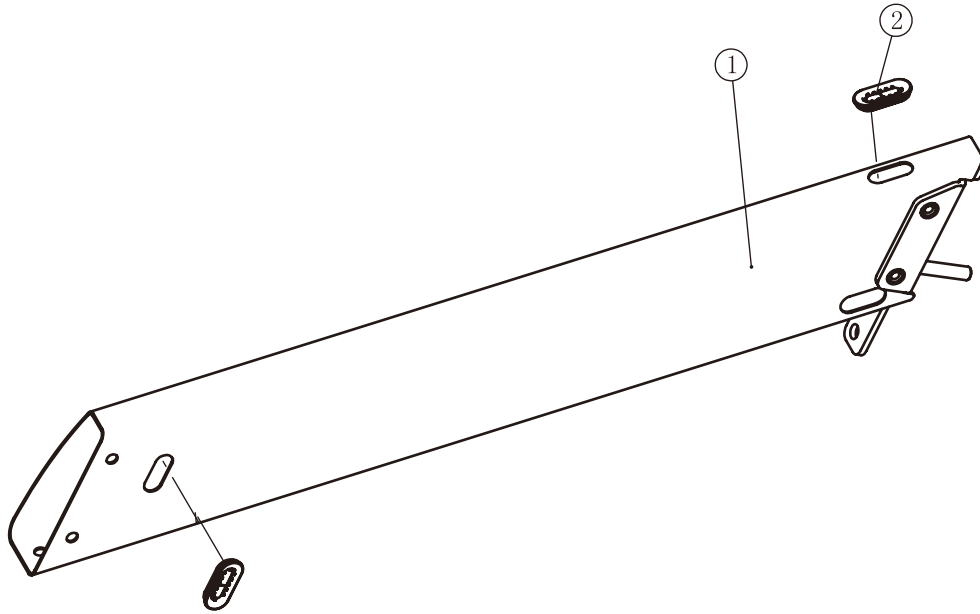
Right Side Rail Assembly



Item No.	Grade No.	Part No.	Description	QTY
1	4.24.1	RT7007300	Right Side Rail	1
2	4.24.2	RT7007500	Frame for Right Side Rail	1
3	4.23.3	PT300H5200	Single Sided Adhesive	3
4	4.24.4	GB17880.5M8*16.5DCS17	Flat head hexagon riveted nuts M8	3

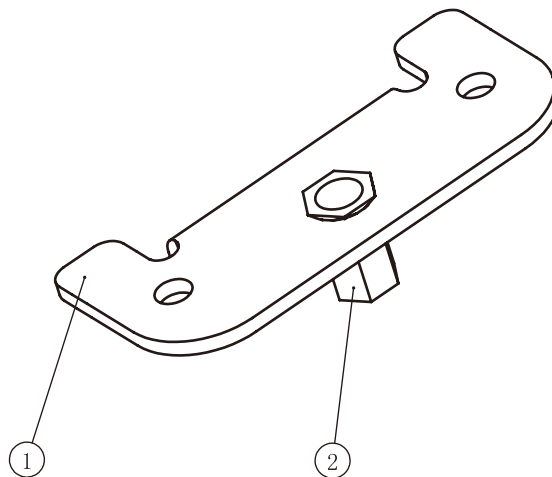
Parts List and Exploded View

Left Upright ASSY



Item No.	Grade No.	Part No.	Description	QTY
1	2.1	RT9500200	Left Upright	1
2	2.2	RT9502100	Wire sheath	2

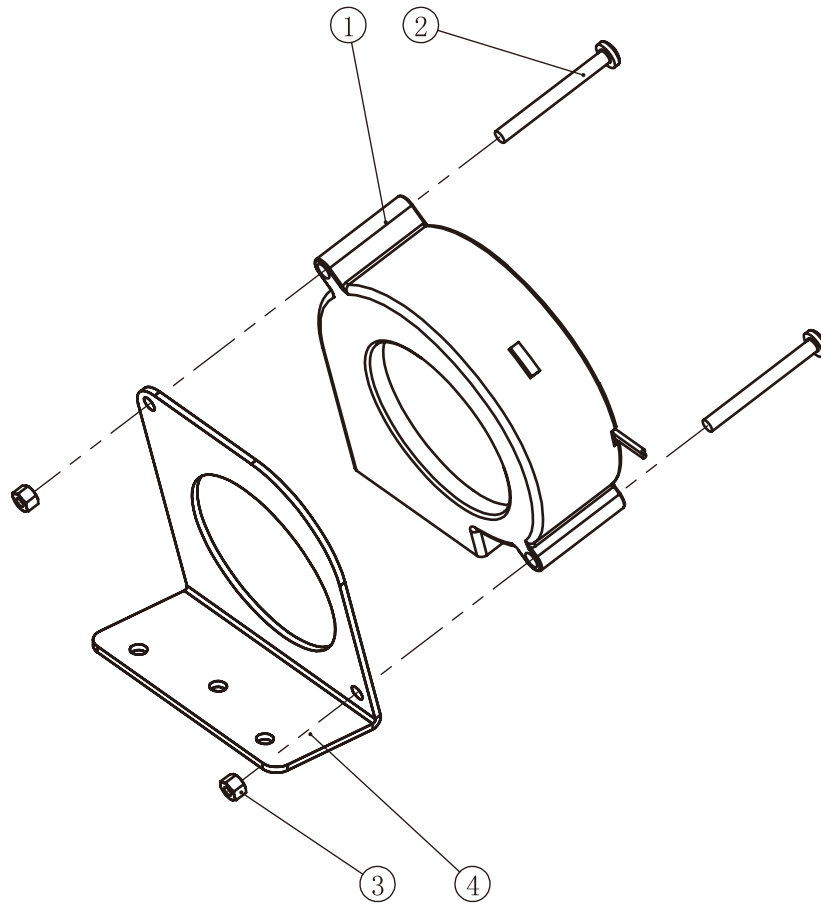
Connect plate ASSY



Item No.	Grade No.	Part No.	Description	QTY
1	7.5.19.1	RT9501700	Connect plate	1
2	7.5.19.2	GB17880.3M5*13DS17	Countersunk head hexagon riveted nuts M5	1

Parts List and Exploded View

Fan Assembly



Item No.	Grade No.	Part No.	Description	QTY
1	1.7.1	P07	Fan	1
2	1.7.2	GB818M4*40DS2	Phillip Screw M4*40	2
3	1.7.3	GB41M4DS2	Nut M4	2
4	1.7.4	RT7504400	Bracket For Fan	1