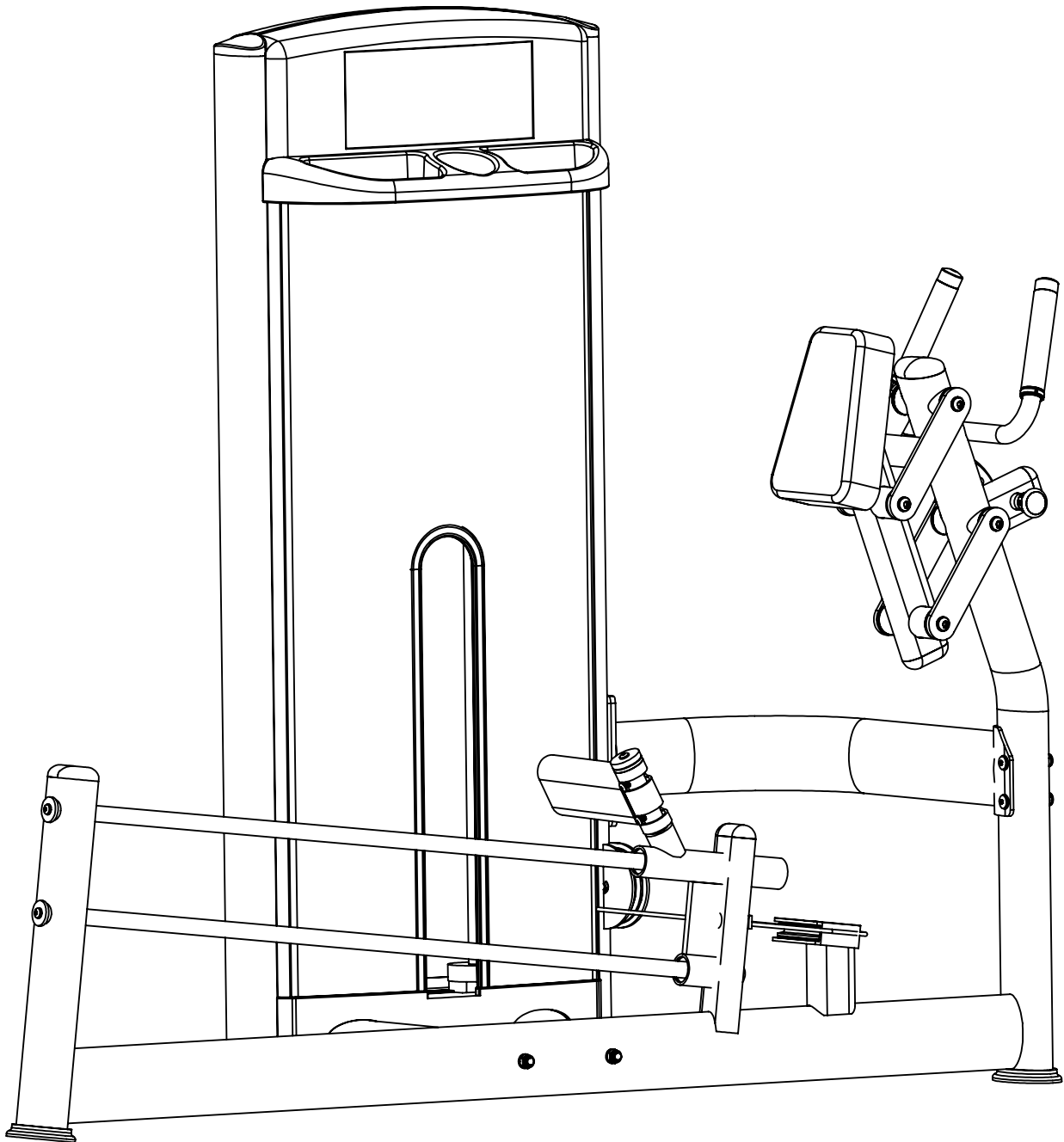


ASSEMBLY INSTRUCTION



M7-2008
Glute Machine

Contents

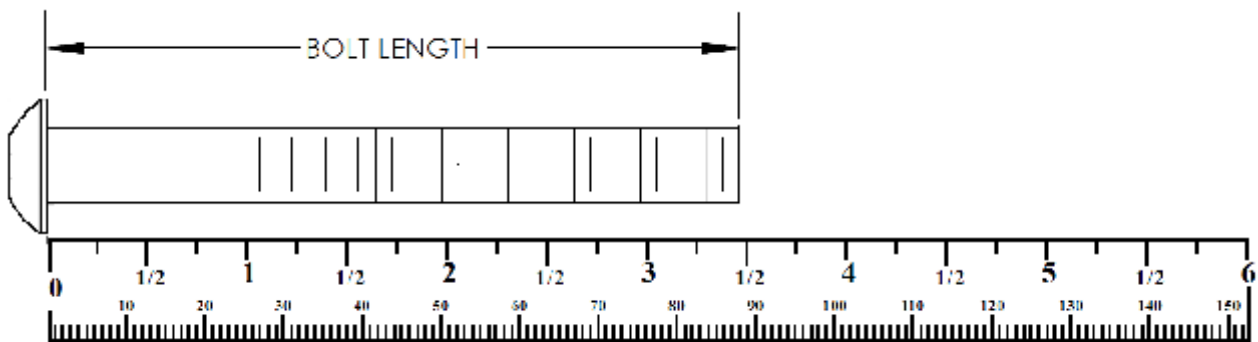
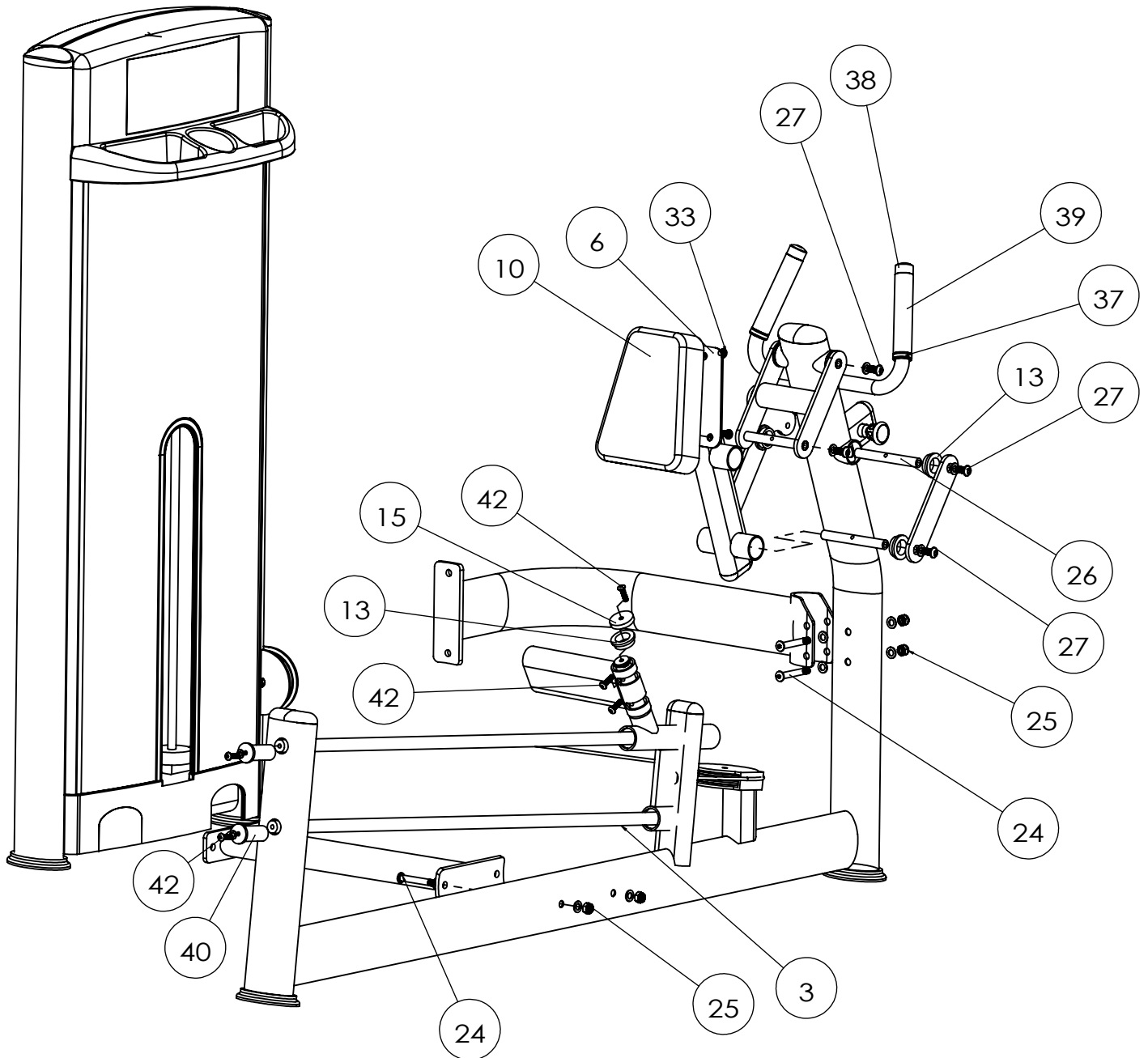
Parts List	Page 3
Main Frame And Side Frame Assembly	Page 4
Seat Frame Assembly	Page 5
Arm Assembly	Page 6
Main Frame Assembly	Page 7
Weight Stack Assembly	Page 8
Wire Rope Assembly	Page 9

PARTS LIST

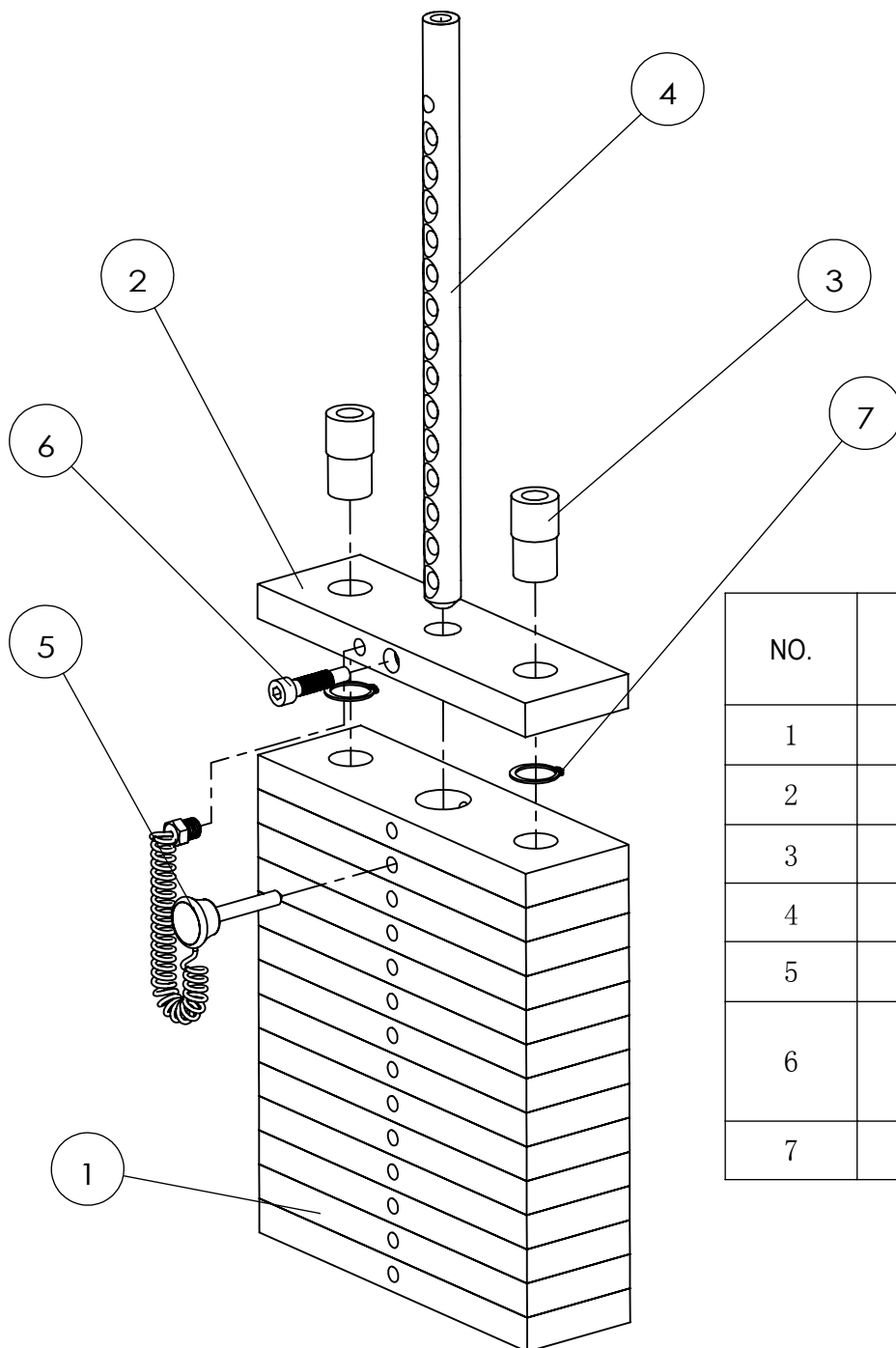
项目号	零件号	说明	M7-2008 Gluten/数量
1	框架装配		1
2	侧架		1
3	光轴		2
4	支撑		1
5	滑动套组		1
6	胸垫管组		1
7	连板组		1
8	调节板1		1
9	连接板5		1
10	拉背胸垫		1
11	脚管组		1
12	M5弯撑		1
13	垫子1		7
14	30卡簧		1
15	端盖		1
16	调节板		1
17	48铜垫子		1
18	鞋		2
19	方配重垫		2
20	圆配重垫	Counter Weight Cushion	2
21	1.22米导杆		2
22	M7导杆套		1
23	M12平垫圈	Washer, M12	16
24	半圆头M12X85	Button Head Cap Screw, M12*85	4

项目号	零件号	说明	M7-2008 Gluten/数量
25	M12防松帽	Nut, M12	4
26	160穿心轴	Axle, 160L	4
27	半圆头M12X25	Screw, M12X25	8
28	M10平面垫圈	Washer, M10	5
29	半圆头M10X20		2
30	130调节销		1
31	手柄	Handle	1
32	手柄盖		1
33	半圆头M10X30		3
34	M5堵头		2
35	M4小管堵		3
36	大线轮		1
37	手把圈	Grip Ring	2
38	手把盖	Grip Cap	2
39	160手把套		2
40	30光轴套		2
41	M8平面垫圈	Washer, M8	2
42	半圆头M8X30	Screw, M8x30	5
43	开口卡		1
44	半圆头M10X35	Screw, M10X35	1
45	M10防松帽	Nut, M10	1
46	钢丝绳		1

Main Frame And Side Frame Assembly



Weight Stack Assembly



NO.	Description	QTY
1	Underside Weight Plate	14
2	Top Weight Plate	1
3	Guide Rod Sleeve	2
4	15 Holes Pole	1
5	Adjustable Bolt	1
6	Standing Bolt for The Top Weight Plate	1
7	ϕ 30 Shaft Clip	2

Image

