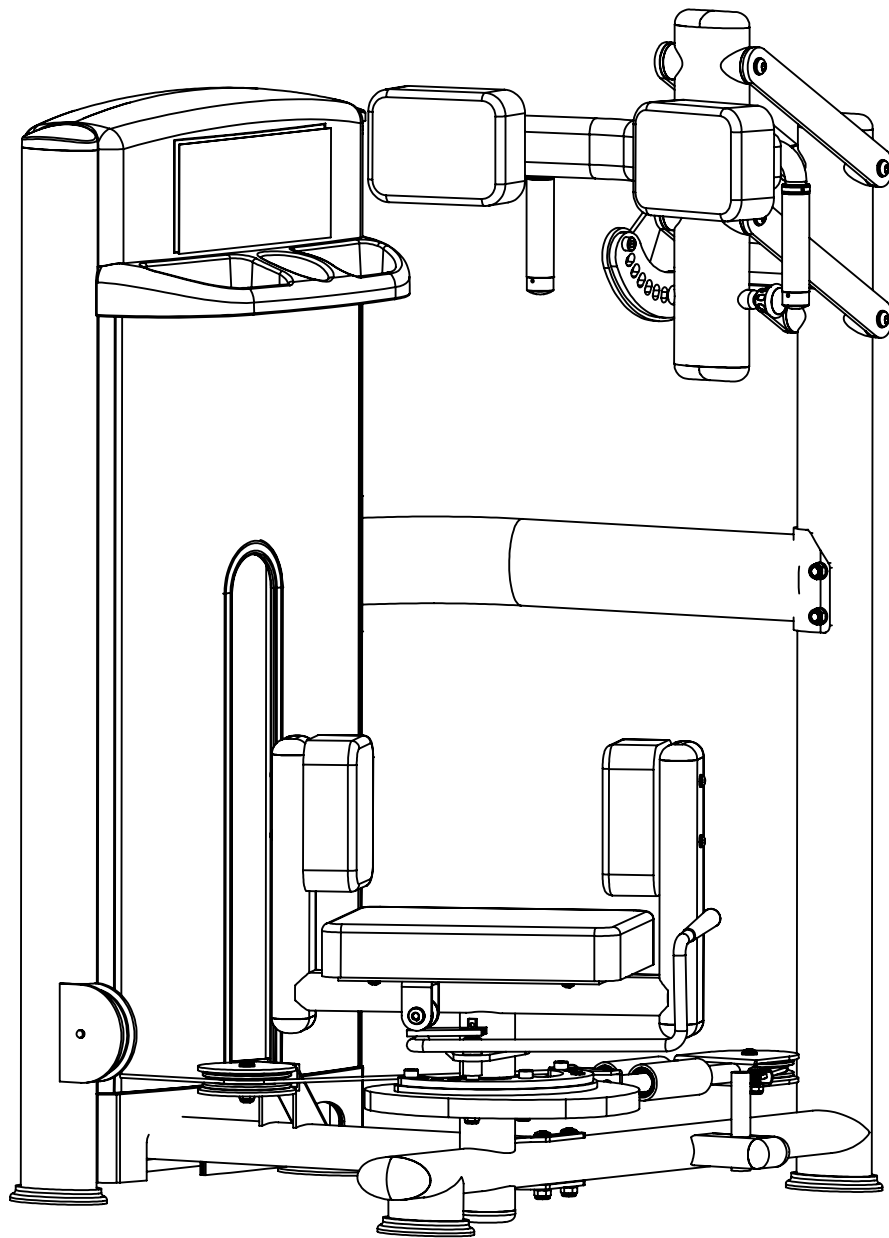


ASSEMBLY INSTRUCTION



M7-2006
Rotary Torso Rotation

Contents

Parts List Page 3

Main Frame And
Side Frame Assembly Page 4

Side Frame Assembly Page 5

Sead Frame Assembly Page 6

Weight Stack Assembly Page 7

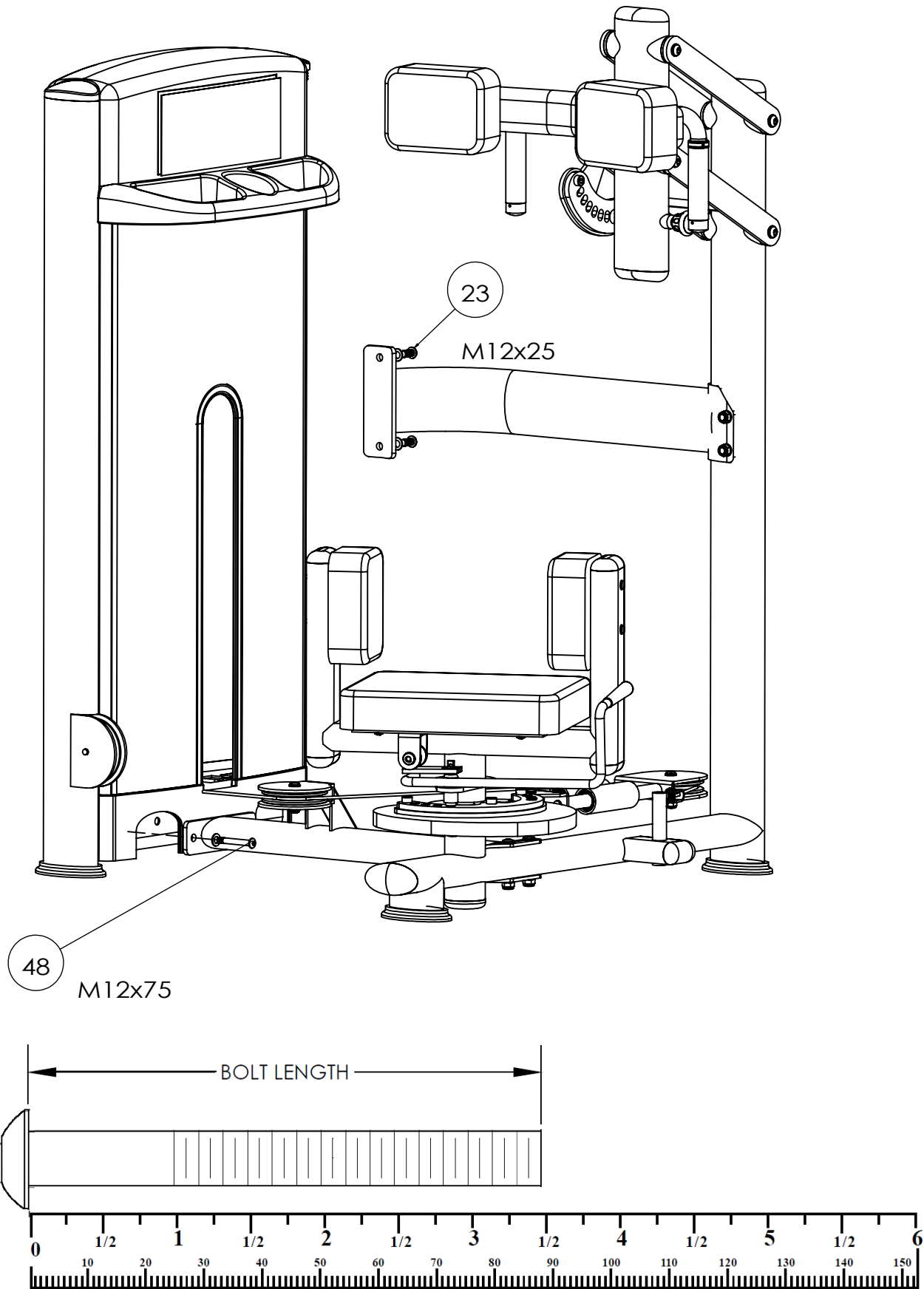
Image Page 8

PARTS LIST

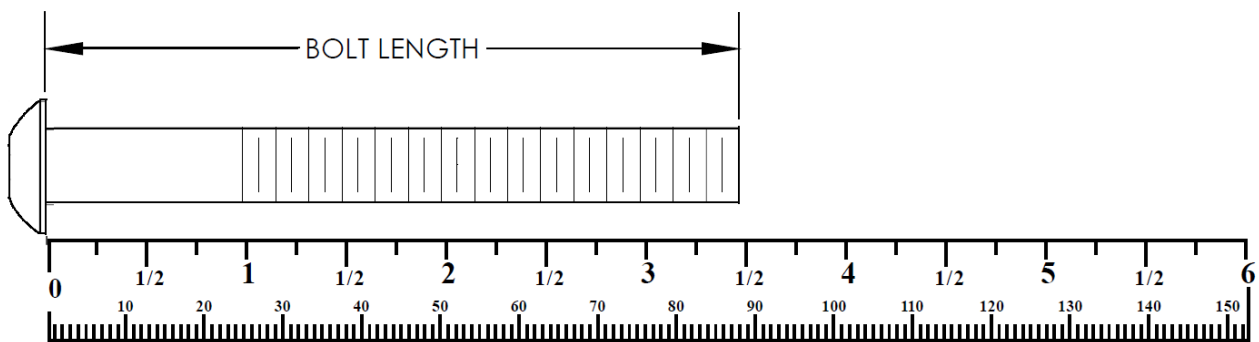
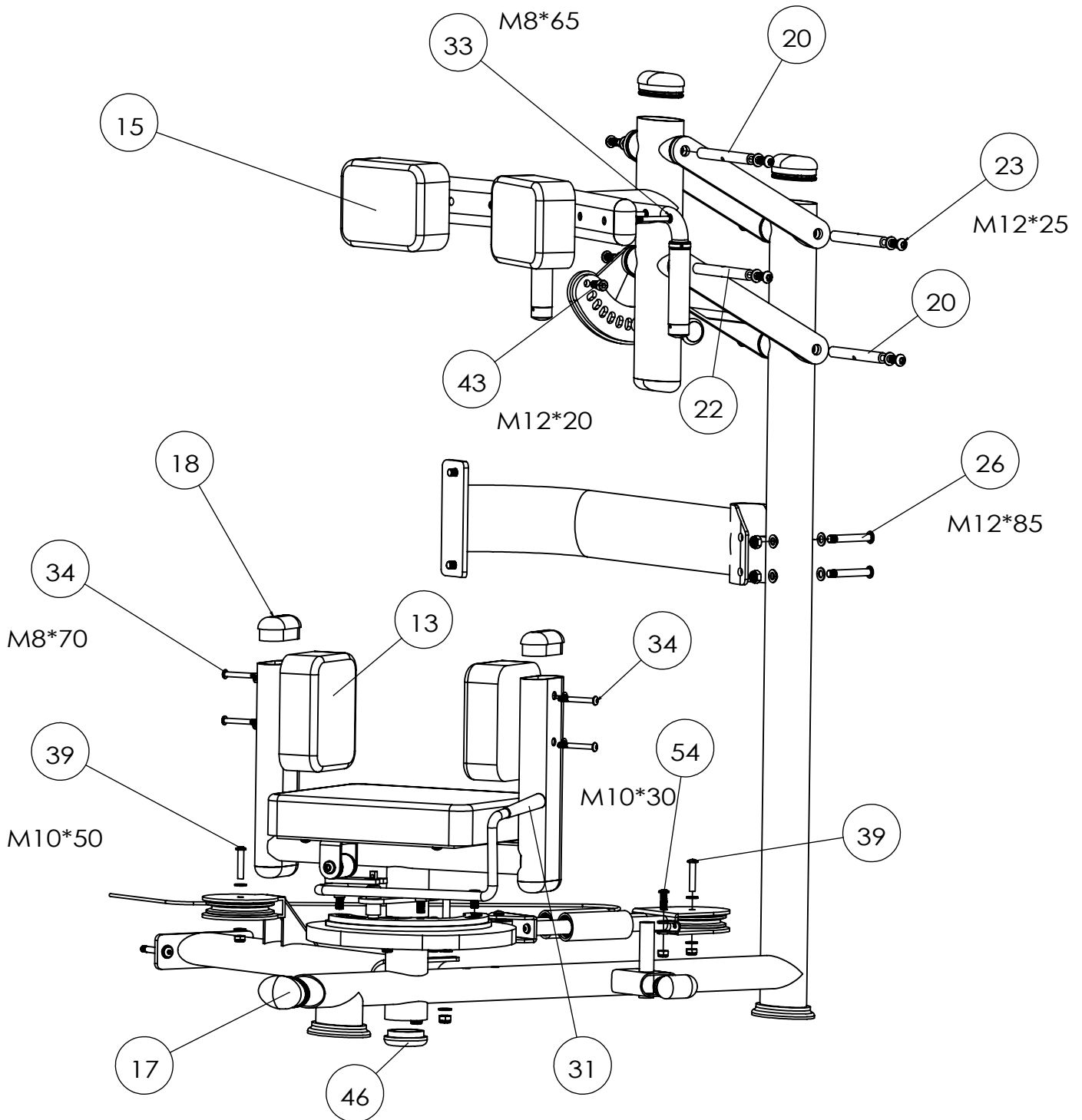
项目号	零件号	说明	默认/数量
1	框架装配		1
2	副架组		1
3	胸垫组		1
4	支撑板2		2
5	48铜垫子		8
6	转体转板组		1
7	盘子组		1
8	M5直撑		1
9	导轮组		1
10	M5弯撑		1
11	调手把		1
12	腿垫		1
13	腿垫1		2
14	连接板4组		1
15	胸垫		2
16	大线轮		2
17	M5堵头		4
18	M4堵头大		4
19	M4小管堵		3
20	150穿心轴	Axle, 160L	3
21	M12平垫圈	Washer, M12	25
22	159穿心轴	Axle, 160L	1
23	半圆头M12X25	Screw, M12X25	12
24	40尼龙垫子	φ 40 Nylon Washer	2
25	60穿心轴		1

项目号	零件号	说明	默认/数量
26	半圆头M12X85	Button Head Cap Screw, M12*85	4
27	M12防松帽	Nut, M12	6
28	170调节销		1
29	手柄	Handle	1
30	手柄盖		1
31	塑料手把		1
32	M8平面垫圈	Washer, M8	1
33	半圆头M8X65	Screw M8*65	4
34	半圆头M8X70	Screw, M8x70	4
35	扁口调节销	Adjustable Bolt, 90L Flat	1
36	开口卡		1
37	鞋		2
38	M10平面垫圈	Washer, M10	1
39	半圆头M10X50	Screw, M10X50	2
40	M10防松帽	Nut, M10	6
41	11-6203-2rsh		4
42	40内卡簧		4
43	圆柱头M12X20	Screw, M12X20	5
44	11-6206-2rs1		4
45	28卡簧		2
46	62堵头		1
47	钢丝绳		1
48	半圆头M10X75	Screw, M10x75	2
49	手把圈	Grip Ring	2
50	手把盖	Grip Cap	2
51	130手把套	Grip, 150MM	2
52	半圆头M8X30	Screw, M8x30	4
53	半圆头M10X55	Button Head Cap Screw M10*55	3
54	半圆头M10X30		1
55	半圆头M8X20	Screw M8*20	2
56	半圆头M8X25	Screw, M8*25	4

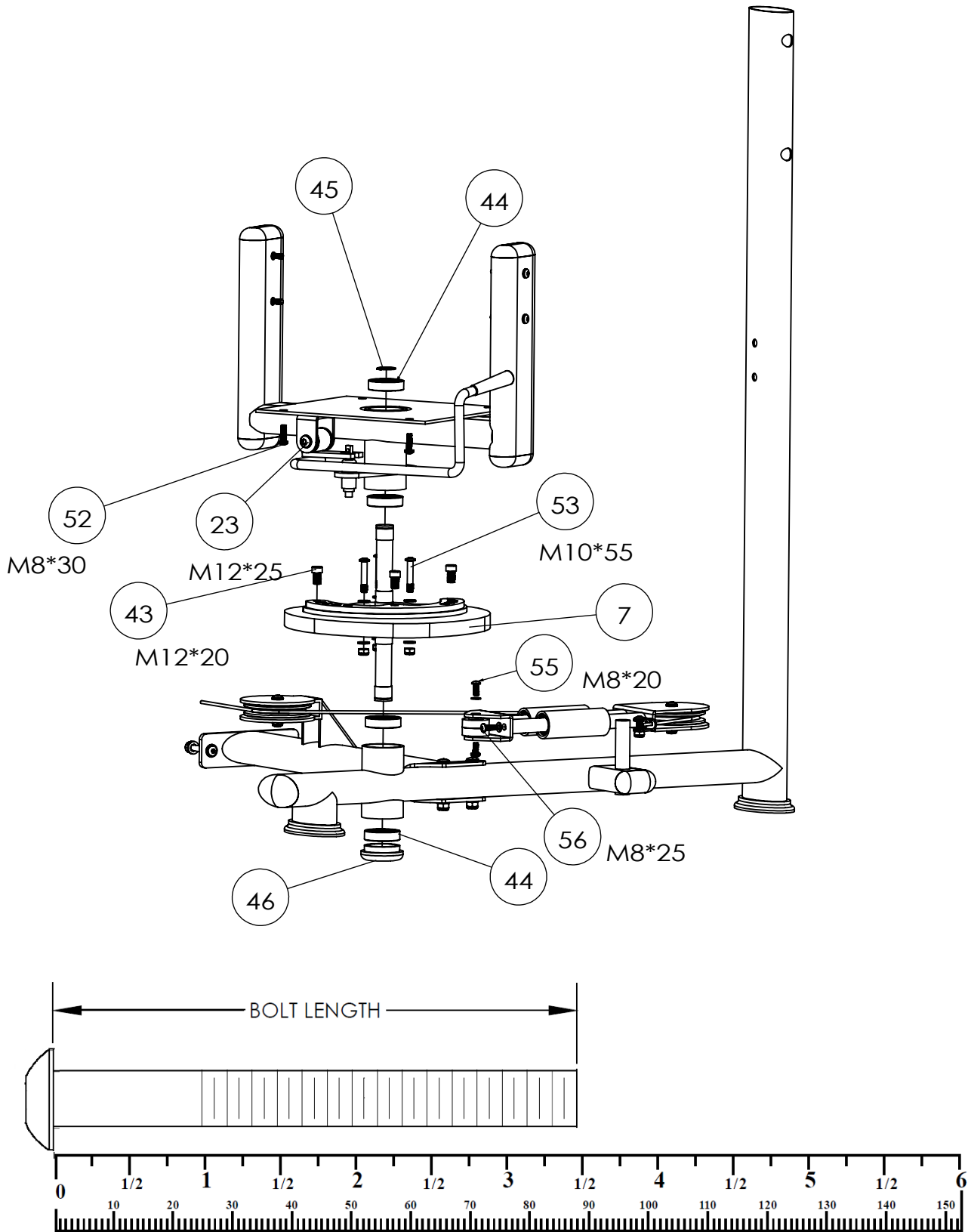
Main Frame And Side Frame Assembly



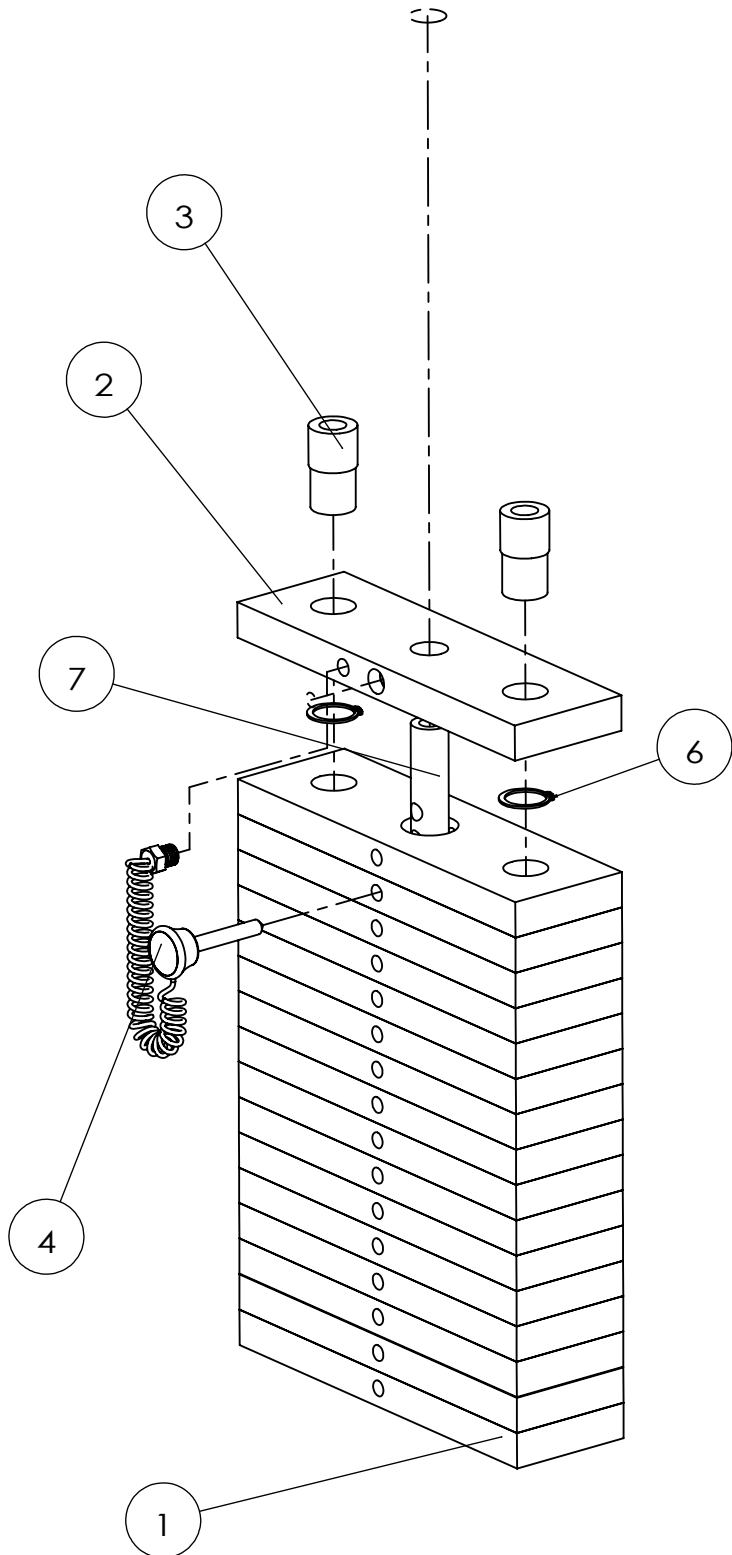
Side Frame Assembly



Seat Frame Assembly



Weight Stack Assembly



NO.	Description	QTY
1	Underside Weight Plate	16
2	Top Weight Plate	1
3	Guide Rod Sleeve	2
4	Adjustable Bolt	1
5	Standing Bolt for The Top Weight Plate	1
6	φ 30 Shaft Clip	2
7	Pole, 17Hole	1

Image

